



MADRAS ENGINEERING INDUSTRIES PRIVATE LIMITED, CHENNAI-INDIA

Madras Engineering Industries Private Limited (MEI) with a market standing of over five decades had pioneered the indigenous development of Self Setting Automatic Slack Adjusters for the Global and Indian markets. MEI's Automatic Slack Adjusters are exported to Europe, North America, South Africa, Australia, Brazil, Korea, Mexico and Russia.

Customers overseas includes Major OEMs like KAMAZ-Russia, Meritor Europe & USA, Gigant, SAF, Scania, Volvo, Knorr-Bremse in Europe, Master in Brazil and Tata Daewoo in Korea apart from After Market customers globally.

MEI is the preferred developments partner for SASA by all OEMs in India. MEI enjoys over 80% fitment share with TML, AL, VECV all Commercial Vehicle manufacturers in India and provides the widest product range covering straight arm, offset type & Crank type to suit every axle requirement.

MEI has its own State-of-the-art Research & Development facility at Maraimalai Nagar, Chennai accredited by the Government of India. MEI's SASA is an in house developed product and has 5 global patents. MEI has also developed indigenized design of Clutch Boosters for all commercial vehicle applications and is the principal source for all varieties to TML. MEI's Clutch Boosters have significant recognition with both OEM and AM customers.

Globally, MEI is the second largest manufacturer of Automatic Slack Adjusters.

MEI has diversified into developing Air Disc Brakes for Passenger vehicles and has commenced exporting ADB assemblies to Europe.

MEI has setup a setup a state-of-the-art Foundry and is the recognized source for Meritor USA, Mando India, Gnutti, SNY, Magaltech, Daimler, KEMS and other customers.










All Plants of MEI have TS 16949, ISO 14001 certifications. All ASAs exported have type approval by Link Laboratories USA and TUV Germany.



MADRAS ENGINEERING INDUSTRIES PRIVATE LIMITED

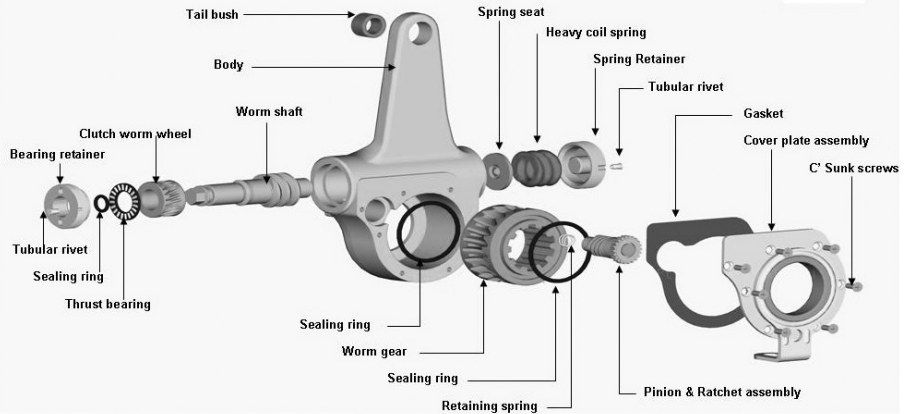
Sl. No.	CONTENTS	Page No.
1.	Tata Motors Ltd - Images i) S-ASA - Exploded View ii) Product Identification iii) Vehicle Application & Product Configuration	5
2.	Ashok Leyland - Images i) Vehicle Application & Product Configuration	14
3.	Daimler India Commercial Vehicles - Images i) Vehicle Application & Product Configuration	19
4.	Volvo Eicher Commercial Vehicles - Images i) Vehicle Application & Product Configuration	22
5.	Mahindra Truck & Buses Ltd - Images i) Vehicle Application & Product Configuration	25
6.	Swaraj Mazda Ltd - Images i) Vehicle Application & Product Configuration	28

SI. No.	CONTENTS	Page No.
7.	Asia Motor Works - Images i) Vehicle Application & Product Configuration	31
8.	TML Repair Kit Assembly (S-ASA) & (LT S-ASA)	34
9.	AL Repair Kit Assembly (S-ASA)	36
10.	DICV Repair Kit Assembly (S-ASA)	38
11.	VECV Repair Kit Assembly (S-ASA)	39
12.	SML/AMW Repair Kit Assembly (S-ASA)	39
13.	Manual Slack Adjuster - Exploded View	40
14.	TML/AL/VECV/MTBL/SML/AMW - MSA	41
15.	TML/AL/VECV/MTBL/SML/AMW - MSA Repair Kit	45
16.	Type of Clutch Booster Assembly	47
17.	Clutch Booster Assembly Dia 70 & Exploded View - Part Description & Vehicle Application	48
18.	Clutch Booster - Vehicle Configuration (Dia 70)	52

19.	Clutch Booster Assembly Dia 90 & Exploded View - Part Description&& Vehicle Application		53
20.	Clutch Booster - Vehicle Configuration (Dia 90)		57
21.	Clutch Booster Assembly Dia 102 & Exploded View - Part Description&& Vehicle Application		58
22.	Clutch Booster - Vehicle Configuration (Dia 102)		63
23.	New Product Assembly i) Diaphragm ii) Air Hose Assembly iii) Drain Valve / Stop Light Switch / Low Pressure Switch iv) Brake Pad v) Brake Shoe vi) Spring Brake Actuator Repair Kit vii) Wear Sensor viii) Caliper Assembly – Exploded View ix) ADB Vehicle Matrix		64
24.	Air Disc Brake – Caliper Assembly		75
25.	Sales Network		79
26.	Service Network		90
27.	MEI Regional Sales & Service Representatives		96

EXPLODED VIEW

SASA



PRODUCT IDENTIFICATION

BODY TYPE - SASA

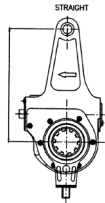


FIG-1

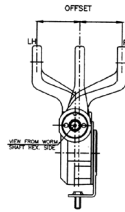


FIG-2

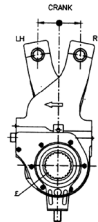


FIG-3

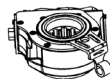
CONTROL ARM TYPE - SASA



STUD TYPE



DOUBLE BEND TYPE



FAST FIT TYPE



GROMMET TYPE

WORM GEAR

10 SPLINE:
SAE 10C 1-1/2"



24 SPLINE:
32x1.25x24 TEETH (DIN 5480)



24 SPLINE:
38x1.5x24 TEETH (DIN 5480)



TML – TATA MOTORS LTD



Straight



16mm Offset RH



16mm Offset LH



76mm 30°Crank RH



76mm 30°Crank LH



LT-SASA St



LT 30°Crank



LT 16mm Offset RH/LH

TML – TATA MOTORS LTD

Sl. No	Vehicle Application	OE Part No	MEI Part No	VEHICLE CONFIGURATION				PRODUCT CONFIGURATION				
				Front	Rear	LH	RH	Straight	Off-set	Crank	CD	Spline
1	M/HCV-1512/1613	277842300182	S2120	✓	✓	✓	✓	✓			140	24x1.5
2	M/HCV-3118	277842300184	S2140		✓	✓			16		140	24x1.5
3	M/HCV-3118	277842300183	S2130		✓		✓		16		140	24x1.5
4	M/HCV 1609	277042300104	S310		✓		✓		43		140	24x1.5
5	M/HCV 1609	277042300105	S320		✓	✓			43		140	24x1.5
6	LCV 709/809/909/912/1109/1112	264142110199	S2870	✓		✓	✓	✓			140	24x1.25
7	LCV 709/809/909	264142310165	S2880		✓		✓		16		140	24x1.25
8	LCV 709/809/909	264142310166	S2890		✓	✓			16		140	24x1.25
9	LPT 1109 / 1112	219042300105	S5080		✓	✓	✓	✓		30°	140	24x1.25
10	LPT 1109 / 1112	287642300106	S970		✓		✓		43		140	24x1.25
11	LPT 1109 / 1112	287642300107	S980		✓	✓			43		140	24x1.25
12	World Truck	288042300122	S760		✓		✓				160	24x1.5
13	World Truck	288042300123	S770		✓	✓			38		160	24x1.5
14	World Truck	288042300124	S860		✓		✓		60		160	24x1.5
15	World Truck	288042300125	S870		✓	✓			60		160	24x1.5

TML – TATA MOTORS LTD

Sl. No.	Vehicle Application	OE Part No	MEI Part No	Front	Rear	LH	RH	Straight	Off-set	Crank	CD	Spline
16	M/HCV-LPT2521/ 2518/LPT 3118-BS III & IV	275242100108	S2990		✓		✓		16		150	24x1.5
17	M/HCV-LPT2521/ 2518/LPT 3118-BS III & IV	275242100114	S3000		✓	✓			16		150	24x1.5
18	JNNURM Buses/2518 Tipper	280942300206	S2050		✓		✓		60	40°	140	24x1.5
19	JNNURM Buses/2518 Tipper	280942300208	S2060		✓	✓			60	40°	140	24x1.5
20	Prima 3123 Tipper	500642100121	S2550	✓	✓	✓	✓	✓			150	24x1.5
21	LPTA 715 / 713 Army	286742100174	S1290		✓	✓			38		140	24x1.5
22	LPTA 715 / 713 Army	286742100173	S1300		✓		✓		38		140	24x1.5
23	World Truck RFWD	288042300127	S1270		✓		✓		41	50°	140	24x1.25
24	World Truck RFWD	288042300126	S1280		✓	✓			41	50°	140	24x1.25
25	World Truck RFWD	280942300206	S4090		✓		✓		60	40°	140	24x1.5
26	World Truck RFWD	280942300208	S4100		✓	✓			60	40°	140	24x1.5
27	Prima 2528 / 3138 / 3718	500642300122	S2530		✓		✓		60		170	24x1.5
28	Prima 2528 / 3138 / 3718	500664230021	S2540		✓	✓			60		170	24x1.5
29	Prima World Truck / Hideck	289242300106	S560	✓	✓	✓	✓	✓			160	24x1.5

TML – TATA MOTORS LTD

Sl. No	Vehicle Application	OE Part No	MEI Part No	Front	Rear	LH	RH	Straight	Off-set	Crank	CD	Spline
30	SRT 2518/2523 HD Bogie Suspension (HT)	287942300191	S4780		✓	✓			76	30°	160	24x1.5
31	SRT 2518/2523 HD Bogie Suspension (HT)	287942300192	S4810		✓		✓		76	30°	160	24x1.5
32	2523/3123/DTC Buses	501442300109	S1690		✓		✓		60		140	24x1.5
33	2523/3123/DTC Buses	501442300115	S1700		✓	✓			60		140	24x1.5
34	2521 Vehicle	502442100112	S3100		✓		✓		28.5		140	24x1.5
35	2521 Vehicle	502442100113	S3110		✓	✓			28.5		140	24x1.5
36	2521 Vehicle	504142300106	S4550		✓		✓		60	40°	140	24x1.5
37	2521 Vehicle	504142300105	S4560		✓	✓			60	40°	140	24x1.5
38	DTC Buses with Wear Sensor Hole	277842300190	S3620	✓		✓	✓	✓			140	24x1.5
39	"LPK 2131-6 X 4 Tipper	502442100126	S3930		✓		✓		16		140	24x1.5
40	"LPK 2131-6 X 4 Tipper	502442100127	S3940		✓	✓			16		140	24x1.5
41	"LPK 2131-6 X 4 Tipper	504342100115	S4910		✓	✓			38	50°	140	24x1.5
42	LPK 2131-6 X 4 Tipper	504342100114	S4920		✓		✓		38	50°	140	24x1.5
43	Prima LPS 4921/ 4923	504142300104	S4930		✓		✓		60	55°	140	24x1.5
44	Prima LPS 4921/ 4923	504142300103	S4940		✓	✓			60	55°	140	24x1.5

TML – TATA MOTORS LTD

Sl. No	Vehicle Application	OE Part No	MEI Part No	Front	Rear	LH	RH	Straight	Off-set	Crank	CD	Spline
45	World Truck	-	S5250X	✓	✓	✓	✓	✓			140	24x1.25
46	Prima World Truck / Hideck [Can be used TATA S560 with WS hole]	-	S5450X	✓	✓	✓	✓	✓			160	24x1.5
47	713 / 715 Army with Wear Sensor Hole	277642300231	S5230X		✓		✓		43		140	24x1.5
48	713 / 715 Army with Wear Sensor Hole	277642300230	S5240X		✓	✓			43		140	24x1.5
49	Prima 3123.K Tipper	504242300124	S5830X		✓	✓			90		160	24x1.5
50	Prima 3123.K Tipper	504242300123	S5840X		✓		✓		90		160	24x1.5
51	M&HCV BUSES HFS-2120	277842300220	S7150	✓				✓			140	24x1.5
52	M&HCV BUSES HFS-310	277842300210	S7160		✓		✓		43		140	24x1.5
53	M&HCV BUSES HFS-320	277842300219	S7170		✓	✓			43		140	24x1.5
54	M&HCV BUSES HFS-1470	285042100166	S7240		✓			✓		30°	140	24x1.5
55	M&HCV BUSES HFS-2060	285042300120	S7300		✓		✓		60	40°	140	24x1.5
56	M&HCV BUSES HFS-2050	285042300121	S7310		✓	✓			60	40°	140	24x1.5
57	Ultra +1518 HFS- 2130(T9A)	553042100105N	S7280		✓		✓		16		140	24x1.5
58	Ultra +1518 HFS- 2140 (T9A)	553042100104N	S7290		✓	✓			16		140	24x1.5

TML – TATA MOTORS LTD

Sl. No	Vehicle Application	OE Part No	MEI Part No	Front	Rear	LH	RH	Straight	Off-set	Crank	CD	Spline
59	LPO-1918 HFS-2990	216742300182	S7780		✓		✓		16		140	24x1.5
60	LPO-1918 HFS-3000	216742300181N	S7790		✓	✓			16		140	24x1.5
61	LPTA3138 HFS	502442100140	S7720		✓	✓			90	30°	140	42x1.5
62	LPTA3138 HFS	502442100141N	S7730		✓		✓		90	30°	140	42x1.5
63	Prima LPS 4921/ 4923	504042100107	S4990		✓			✓		30°	160	24x1.5
64	LT SASA -LPT 709/809/909/ Y1/1109/1112 BS IV	550642100188	S7180	✓				✓			140	24x1.25
65	LT SASA -LPT 709/809/909/ Y1 BS IV	246242100106	S7360		✓		✓		16		140	24x1.25
66	LT SASA -LPT 709/809/909/ Y1 BS IV	264242100105	S7370		✓	✓			16		140	24x1.25
67	LT SASA -LPT 1109 / 1112 BS IV	-	S7380		✓			✓		30°	140	24x1.25
68	LT SASA -LPT 1109 / 1112 BS III	550642300193	S7860		✓		✓		43		140	24x1.25
69	LT SASA -LPT 1109 / 1112 BS III	550642300194	S7870		✓	✓			43		140	24x1.25

TML – TATA MOTORS LTD

S-ASA Superseded Part Numbers						
Tata Motors Limited						
Old Part No		Configuration		New Part No		Ref.No
MEI	OE	CD	Spline	MEI	OE	
S260	277842100140	140	24x1.5	S2120	277842300182	SI.No 1
S270	277844300116	140	24x1.5	S2130	277842300183	SI.No 2
S280	277842300125	140	24x1.5	S2140	277842300184	SI.No 3
S2870	264142110199	140	24x1.25	S7180	550642100188	SI.No 64
S2880	264142310165	140	24x1.25	S7360	246242100106	SI.No 65
S2890	264142310166	140	24x1.25	S7370	264242100105	SI.No 66
S5080	219042300105	140	24x1.25	S7380	-	SI.No 67
S970	287642300106	140	24x1.25	S7860	550642300193	SI.No 68
S980	287642300107	140	24x1.25	S7870	550642300194	SI.No 69

AL – ASHOK LEYLAND



Straight



38mm Offset RH



38mm Offset LH



120mm Offset RH



120mm Offset LH

AL – ASHOK LEYLAND

Sl. No	Vehicle Application	OE Part No	MEI Part No	VEHICLE CONFIGURATION				PRODUCT CONFIGURATION				
				Front	Rear	LH	RH	Straight	Offset	Crank	CD	Spline
1	1613/1616/2516/2518/2523/ U3116/3118/3123/3718 3723/3518/4018/4923	F8377800	S340	✓	✓	✓	✓	✓			160	10x1.5
2	All M/HCV Front-Can be replaced with S340	F8850600	S840	✓		✓	✓	✓			160	10x1.5
3	Stag/Lynx/Boss 912/1212	X8828600	S590	✓		✓	✓	✓			140	24x1.25
4	E Comet 1112 Vehicle	F 8898600	S1360	✓		✓	✓	✓			160	24x1.25
5	E Comet 1112 / 9016-Can be replaced with S590	X8824100	S1570		✓	✓	✓	✓			140	24x1.25
6	Stag/Lynx/Boss - Can be replaced with S590	FP603700	S2450	✓	✓	✓	✓	✓			140	24x1.25
7	1613/1616/2516/2518/2523/ U3116/3118/3123/3718 3723/3518/4018/4923- Can be replaced with S340	X8802600	S1430	✓		✓	✓				160	10x1.5
8	12 Metre Buses & U Truck 2518/3718/3723 RH	X8823400	S1480	✓			✓		38		160	10x1.5
9	12 Metre Buses & U Truck 2518/3718/3723 LH	X8823300	S1490	✓		✓			38		160	10x1.5

AL – ASHOK LEYLAND

Sl. No	Vehicle Application	OE Part No	MEI Part No	Front	Rear	LH	RH	Straight	Offset	Crank	CD	Spline
10	E Comet 9016 /1112	X 8824100	S1570	✓		✓	✓	✓			140	24x1.25
11	E Comet 1112/1212/HSD	FP602400	S4130	✓		✓	✓	✓			160	24x1.25
12	E Comet 1012/1212/9016 LH	F8899800	S1400		✓	✓			70		140	24x1.25
13	E Comet 1012/1212/9016 RH	F8899700	S1410		✓		✓		70		140	24x1.25
14	"12 Metre Buses & U2518 TT All Models LH RH"	FP600600	S2910		✓	✓			28.5		160	10x1.5
15	"12 Metre Buses & U2518 TT All Models RH LH"	FP600500	S2920		✓		✓		28.5		160	10x1.5
16	Stag RH	FP601000	S3220		✓		✓		28.5		140	24x1.25
17	Stag LH	FP600900	S3230		✓	✓			28.5		140	24x1.25
18	E Comet 1012-LH	X8821500	S1520		✓	✓			28.5		160	24x1.25
19	E Comet 1012-RH	X8821600	S1530		✓		✓		28.5		160	24x1.25
20	U Truck 3123/2518/2523/2518/4923/3723/ BGS N2518	FP601800	S3510		✓	✓			38		160	24x1.5
21	U Truck 3123/2518/2523/2518/4923/3723/ BGS N2518	FP601900	S3500		✓		✓		38		160	24x1.5

AL – ASHOK LEYLAND

Sl. No	Vehicle Application	OE Part No	MEI Part No	Front	Rear	LH	RH	Straight	Offset	Crank	CD	Spline
22	M/HCV Front & Rear	FP602300	S3630	✓	✓		✓		16		160	10x1.5
23	M/HCV Front & Rear	FP602200	S3640	✓	✓	✓			16		160	10x1.5
24	M/HCV Front & Rear	FP603900	S5430	✓	✓		✓		38		160	24x1.5
25	M/HCV Front & Rear	FP603800	S5440	✓	✓	✓			38		160	24x1.5
26	M/HCV Front & Rear	FY400221	S5990	✓	✓		✓		70		140	10x1.5
27	M/HCV Front & Rear	FY400121	S6000	✓	✓	✓			70		140	10x1.5
28	M/HCV Front & Rear	FP601200	S3260		✓		✓		120		160	24x1.5
29	M/HCV Front & Rear	FP601100	S3270		✓	✓			120		160	24x1.5
30	M/HCV Front & Rear	FY401800	S7840	✓	✓	✓	✓	✓			160	10x1.5
31	DTC Application [Foton Axle]	PP600002	ASA5180		✓		✓		165		160	14
32	DTC Application [Foton Axle]	PP600003	ASA5170		✓	✓			165		160	14

AL – ASHOK LEYLAND

S-ASA Superseded Part Numbers						
Ashok Leyland						
Old Part No		Configuration		New Part No		Ref.No
MEI	OE	CD	Spline	MEI	OE	
S840	F8850600	160	10x1.5	S1430	X8802600	SI.No 2
S1430	X8802600	160	10x1.5	S340	F8377800	SI.No 7

DICV – DAIMLER INDIA COMMERCIAL VEHICLES



Straight



75mm Offset RH



75mm Offset LH

DICV – DAIMLER INDIA COMMERCIAL VEHICLES

Sl. No	Vehicle Application	OE Part No	MEI Part No	VEHICLE CONFIGURATION				PRODUCT CONFIGURATION				
				Front	Rear	LH	RH	Straight	Offset	Crank	CD	Spline
1	Rigid Truck 2523C/2523R/3123R/3128C/1617R/49T RT1 / RT2 Con NABS/ABS	A4 004200038	S2950	✓		✓	✓	✓			160	24x1.5
2	Tipper / Mining 3128CM	A4 004200138	S3190		✓		✓		60		160	24x1.5
3	Tipper / Mining 3128CM	A4 004200238	S3180		✓				60		160	24x1.5
4	Tipper / Construction 2523C/2528C/3128C	A4 004201338	S4230		✓		✓		75		160	24x1.5
5	Tipper / Construction 2523C/2528C/3128C	A4 004201238	S4240		✓	✓			75		160	24x1.5
6	Tipper / Construction - Thunderbolt Project	A4 004203038	S6050		✓		✓		75		160	24x1.5
7	Tipper / Construction - Thunderbolt Project	A4 004203138	S6060		✓				75		160	24x1.5
8	MDT Segment 9-12 Ton (Model 914R)	A4 004203238	S6090	✓		✓	✓	✓			160	24x1.25
9	MDT Segment 9-12 Ton (Model 12.8R / 1217C)	A4 004203338	S6110		✓	✓			16		160	24x1.25
10	MDT Segment 9-12 Ton (Model 12.8R / 1217C)	A4 004203438	S6100		✓		✓		16		160	24x1.25

DICV – DAIMLER INDIA COMMERCIAL VEHICLES

Sl. No	Vehicle Application	OE Part No	MEI Part No	Front	Rear	LH	RH	Straight	Offset	Crank	CD	Spline
11	16 Ton Bus	A8 314200038	S6610		✓		✓		75	29°	160	24x1.5
12	16 Ton Bus	A8 314200138	S6620		✓	✓			75	29°	160	24x1.5
13	MDT Segment 16 Ton (Model 1617R)	A4 004203538	S6460	✓		✓	✓	✓			160	24x1.5
14	MDT Segment 16 Ton (Model 1617R)	A4 004203738	S6470		✓		✓		16		160	24x1.5
15	MDT Segment 16 Ton (Model 1617R)	A4 004203638	S6480		✓	✓			16		160	24x1.5
16	Thunderbolt - Front RH	A4 004203838	S6600	✓			✓		37		160	26x1.5
17	Thunderbolt - Front LH	A4 004203938	S6590	✓		✓			37		160	26x1.5

VECV – VOLVO EICHER COMMERCIAL VEHICLES



Straight



16mm Offset RH



16mm Offset LH



60mm 40° Crank RH



60mm 40° Crank LH

VECV – VOLVO EICHER COMMERCIAL VEHICLES

Sl. No.	Vehicle Application	OE Part No	MEI Part No	VEHICLE CONFIGURATION				PRODUCT CONFIGURATION				
				Front	Rear	LH	RH	Straight	Offset	Crank	CD	Spline
1	10.75/10.80/10.90/10.95/11.10/11.12/ PRO 3008 [Can be used TATA S2870]	IA235434	S2250	✓				✓			140	24x1.25
2	10.75/10.80/10.90/10.95/11.10/11.12/ PRO 3008 [Can be used TATA S2880]	IA235463	S2260		✓		✓		16		140	24x1.25
3	10.75/10.80/10.90/10.95/11.10/11.12/ PRO 3008 [Can be used TATA S2890]	IA235464	S2270		✓	✓			16		140	24x1.25
4	HCV 11.14/20.15/20.16/30.25/35.31/T16/ T25/40.35/40.40	IA235487	S2280	✓				✓			140	24x1.5
5	M/HCV 30.25/35.31/T16 [Can be used TATA S 2130]	IA235461	S2290		✓		✓		16		140	24x1.5
6	M/HCV 30.25/35.31/T16 [Can be used TATA S 2140]	IA235462	S2300		✓	✓			16		140	24x1.5
7	M/HCV T 25/PRO 60.25 Bogie Suspension	IC306249	S4670		✓		✓		60	40°	140	24x1.5
8	M/HCV T 25/PRO 60.25 Bogie Suspension	IC306248	S4680		✓	✓			60	40°	140	24x1.5
9	PRO 20.16/6015/VE 2100/60.16T/6025/ 6031/60.35/60.37/60.40	IC309026	S5070	✓	✓	✓	✓	✓			140	24x1.5

VECV – VOLVO EICHER COMMERCIAL VEHICLES

S-ASA Superseded Part Numbers						
Volvo Eicher Commercial Vehicles						
Old Part No		Configuration		New Part No		Ref.No
MEI	OE	CD	Spline	MEI	OE	
S700	IA235434	140	24x1.25	S2250	IA235434	SI.No 1
S1200	IA235463	140	24x1.25	S2260	IA235463	SI.No 2
S1210	IA235464	140	24x1.25	S2270	IA235464	SI.No 3
S1180	IA235487	140	24x1.5	S2280	IA235487	SI.No 4
S1220	IA235461	140	24x1.5	S2290	IA235461	SI.No 5
S1230	IA235462	140	24x1.5	S2300	IA235462	SI.No 6

MAHINDRA TRUCK & BUSES LTD



Straight



60 mm 55° Crank RH



60 mm 55° Crank LH

MAHINDRA TRUCK & BUSES LTD

Sl. No	Vehicle Application	OE Part No	MEI Part No	VEHICLE CONFIGURATION				PRODUCT CONFIGURATION				
				Front	Rear	LH	RH	Straight	Offset	Crank	CD	Spline
1	MAV -Front & Rear	7712AAP00011N	S1370	✓		✓	✓	✓			140	24x1.5
2	MAV -Front & Rear	0601BAB00440N	S615	✓		✓	✓	✓			140	24x1.25
3	25 T Tipper HD	7712AAQ00030N	S3030		✓		✓		60		140	24x1.5
4	25 T Tipper HD	7712AAQ00040N	S3040		✓	✓			60		140	24x1.5
5	MCV/HCV	7712AAP00040N	S4720X	✓		✓	✓	✓			140	24x1.5
6	VAVE of S-615	7712AAP00030N	S4710X	✓		✓	✓	✓			140	24x1.25
7	MCV/HCV	7712AAQ00070N	S5640	✓		✓	✓	✓		30°	140	24x1.5
8	MN 31 Multi Axle	7712AAQ00050N	S5650		✓		✓		60	55°	140	24x1.5
9	MN 31 Multi Axle	7712AAQ00060N	S5660		✓	✓			60	55°	140	24x1.5
10	LT SASA-LCV	712AACC00061N	S7770	✓		✓	✓	✓			140	24x1.25

MAHINDRA TRUCK & BUSES LTD

S-ASA Superseded Part Numbers						
Mahindra Truck & Buses Limited						
Old Part No		Configuration		New Part No		Ref.No
MEI	OE	CD	Spline	MEI	OE	
S1370	7712AAP00011N	140	24x1.5	S4720	7712AAP00040N	SI.No 1
S615	0601BAP00440N	140	24x1.25	S4710	7712AAP00030N	SI.No 2

SML - SWARAJ MAZDA LTD



Straight



43mm Offset RH



43mm Offset LH

SML - SWARAJ MAZDA LTD

Sl. No	Vehicle Application	OE Part No	MEI Part No	VEHICLE CONFIGURATION				PRODUCT CONFIGURATION				
				Front	Rear	LH	RH	Straight	Offset	Crank	CD	Spline
1	LCV	LP-4926970 A	S700	✓		✓	✓	✓			140	24x1.25
2	LCV	LP-4926970 A	S2360	✓		✓	✓	✓			140	24x1.25
3	Isuzu - Front	LZ-0233970	S310	✓			✓		43		140	24x1.5
4	Isuzu - Front	LZ-0233975	S320	✓		✓			43		140	24x1.5
5	Isuzu - Rear	LZ-0226970 A	S560		✓	✓	✓				160	24x1.5
6	Isuzu - Rear	LZ-0226970	S2350		✓	✓	✓				160	24x1.5
7	Samrat - Upgraded	SD0126970	S342	✓	✓	✓	✓	✓			160	10x1.5
8	Samrat - Upgraded	SD0126970	S2340	✓	✓	✓	✓	✓			160	10x1.5
9	LT 134 - Front	LZ02 33985	S1870	✓			✓		43		160	24x1.5
10	LT 134 - Front	LZ02 33980	S1880	✓		✓			43		160	24x1.5

SML - SWARAJ MAZDA LTD

S-ASA Superseded Part Numbers						
Swaraj Mazda Limited						
Old Part No		Configuration		New Part No		Ref.No
MEI	OE	CD	Spline	MEI	OE	
S560	LZ-0226970 A	160	24x1.5	S2350	LZ-0226970	SI.No 6
S700	LP-4926970 A	140	24x1.25	S2360	LP-4926970 A	SI.No 2
S342	SD-0126970	160	10x1.5	S2340	SD-0126970	SI.No 8

AMW – ASIA MOTOR WORKS



Straight



60mm Offset RH



60mm Offset LH

AMW – ASIA MOTOR WORKS

Sl. No	Vehicle Application	OE Part No	MEI Part No	VEHICLE CONFIGURATION				PRODUCT CONFIGURATION				
				Front	Rear	LH	RH	Straight	Offset	Crank	CD	Spline
1	M/HCV	2810200005	S6630	✓				✓			140	24x1.5
2	M/HCV	281020006A	S2230	✓	✓	✓	✓	✓			160	10x1.5
3	M/HCV	281000015A	S2240	✓	✓	✓	✓	✓			140	10x1.5
4	M/HCV	2810200009	S1250		✓		✓		60		160	10x1.5
5	M/HCV	2813000010	S1260		✓	✓			60		160	10x1.5
6	M/HCV	2813000022	S2480	✓			✓		60	29°	160	10x1.5
7	M/HCV	2813000021	S2490		✓	✓			60	29°	160	10x1.5
8	M/HCV	2810200006	S342	✓				✓			160	10x1.5
9	M/HCV	2810000015	S1340	✓	✓	✓	✓	✓			160	10x1.5

AMW – ASIA MOTOR WORKS

S-ASA Superseded Part Numbers						
Asia Motor Works						
Old Part No		Configuration		New Part No		Ref.No
MEI	OE	CD	Spline	MEI	OE	
S262	2810200005	140	24x1.5	S6630	2810200005	SI.No 1
S342	2810100017	160	10x1.5	S2230	281020006A	SI.No 2
S1340	2810000015	140	10x1.5	S2240	281000015A	SI.No 3

TML - Repair Kit Assembly (S-ASA)

APPLICATION	MEI PART NO	DESCRIPTION
For all SASA -Except Higher Torque	MEI RK 001	Minor Repair Kit
For all SASA -Except Higher Torque	MEI RK 002	Major Repair Kit
All MCV/HCV Range of Vehicles	WPS2WG1H245090/ 681	Worm Gear [24x1.5]
All LCV/ICV Range of Vehicles	WPS2WG1H242090/ 680	Worm Gear [24x1.25]
All Tata Vehicles	MEI-SASA-34620	Cover Plate Assembly
For Higher Torque SASA	MEI-SASA-35160	Cover Plate Assembly
Suitable for all SASA - TATA	MEI-SASA-33870	Pinion Assembly
Suitable for Higher Torque SASA	MEI-SASA-34167	Pinion Assembly
Suitable for S 560	MEI-SASA-34980	Body with Tail Bush
Suitable for S2120 / S2870	MEI-SASA-34987	Body with Tail Bush
Suitable for S2130 / S2880	MEI-SASA-34988	Body with Tail Bush
Suitable for S2140 / S2890	MEI-SASA-34989	Body with Tail Bush
Suitable for S310 / S970	MEI-SASA-34990	Body with Tail Bush
Suitable for S320 / S980	MEI-SASA-34991	Body with Tail Bush
Suitable for S2050	MEI-SASA-34992	Body with Tail Bush
Suitable for S2060	MEI-SASA-34993	Body with Tail Bush

APPLICATION	MEI PART NO	DESCRIPTION
Suitable for S4780 Higher Torque	MEI-SASA-35141	Body with Tail Bush
Suitable for S4810 Higher Torque	MEI-SASA-35142	Body with Tail Bush
Suitable for S2120 – RH	MEI-SASA-34710	Anchor Bracket
Suitable for S2120 – LH	MEI-SASA-34720	Anchor Bracket
Suitable for S2050 / S2060	MEI-SASA-34730	Anchor Bracket
Suitable for S2140	MEI-SASA-34690	Anchor Bracket
Suitable for S2130	MEI-SASA-34700	Anchor Bracket
All LCV / ICV Range of Vehicles LT SASA	MEI-SASA-35330	Cover Plate Assembly - Screw Type
All LCV / ICV Range of Vehicles LT SASA	MEI-RK-012	LT SASA Minor Repair Kit (Domestic)
All LCV / ICV Range of Vehicles LT SASA	MEI-RK-013	LT SASA Major Repair Kit (Domestic)
All LCV / ICV Range of Vehicles LT SASA	MEI-SASA-34166	Pinion Assembly
All LCV / ICV Range of Vehicles LT SASA	WPS2WG1H242090/ 680	Worm Gear [24x1.25]

AL - Repair Kit Assembly (S-ASA)

Application	MEI Part No	Description
For all SASA Except Higher Torque SASA	MEI RK 001	Minor Repair Kit
For all SASA Except Higher Torque SASA	MEI RK 002	Major Repair Kit
For Higher Torque SASA	MEI RK 080	Major Repair Kit
For Higher Torque SASA	MEI RK 140	Minor Repair Kit
Suitable for SASA S3500/S3510/S3260/S3270/S5430/S5440	WPS2WG1H245090 /ASA 681	Worm Gear [24 X 1.5]
Suitable for SASA S590/S1400 /S1410 /S1520 /S1530 /S1570	WPS2WG1H242090 /ASA 680	Worm Gear [24 X 1.25]
Suitable for all MCV/HCV range of vehicles	WPCOWG1H100090 /ASA 654	Worm Gear - [10 Spline]
Half Round Control Gear for all SASA	MEI-SASA-34790	Cover Plate Assembly - Screw Type
Earlier it was SASA 1687 - Now it is SASA 1746	MEI-SASA-1746/35020	Cover Plate Assembly - Curled Type
Suitable for S840	MEI-SASA-1678/35060	Cover Plate Assembly - Grommet Type
Suitable for S340 /S1430 /S4130 /S840	MEI-SASA-34980	Body with Tail Bush
Suitable for S1480	MEI-SASA-34981	Body with Tail Bush
Suitable for S1490	MEI-SASA-34982	Body with Tail Bush
Suitable for S2910	MEI-SASA-34983	Body with Tail Bush
Suitable for S2920	MEI-SASA-34984	Body with Tail Bush

Suitable for S1400	MEI-SASA-34985	Body with Tail Bush
Suitable for S1410	MEI-SASA-34986	Body with Tail Bush
Suitable for S590 /S1570	MEI-SASA-34987	Body with Tail Bush
Suitable for all SASA	MEI-SASA-33870	Pinion Assembly
Suitable for S1430	MEI-SASA-31320	Anchor Bracket
Suitable for converting S840 aSS340	MEI-SASA-1555X	Anchor Bracket
Suitable for S1480 /S1490 Cover Plate Assembly	MEI-SASA-31321	Anchor Bracket
Suitable for S340 Front /S1480 /S1490 Cover Plate Assembly	MEI-SASA-34540	Anchor Bracket
Suitable for S2910	MEI-SASA-34660	Anchor Bracket
Suitable for S2920	MEI-SASA-34670	Anchor Bracket
Suitable for S340 - Rear	MEI-SASA-34680	Anchor Bracket

DICV - Repair Kit Assembly (S-ASA)

Application	MEI Part No	Description
For SASA S2950	MEI RK 001	Minor Repair Kit
For SASA S2950	MEI RK 002	Major Repair Kit
For SASA S4230/S4240	MEI RK 140	Minor Repair Kit
For SASA S4230/S4240	MEI RK 080	Major Repair Kit
For SASA S4230	MEI RK 218	Body Replacement Kit
For SASA S4240	MEI RK 219	Body Replacement Kit
For SASA S2950	MEI-SASA -33870	Pinion Assembly
For SASA S4230/S4240	MEI-SASA-34167	Pinion Assembly
For SASA S2950	MEI-SASA-34620	Cover Plate Assembly
For SASA S4230/S4240	MEI-SASA-35100	Cover Plate Assembly
For SASA S2950	MEI-SASA-34998	Body with Tail Bush
For SASA S4230	MEI-SASA-34999	Body with Tail Bush
For SASA S4230	MEI-SASA-35140	Body with Tail Bush

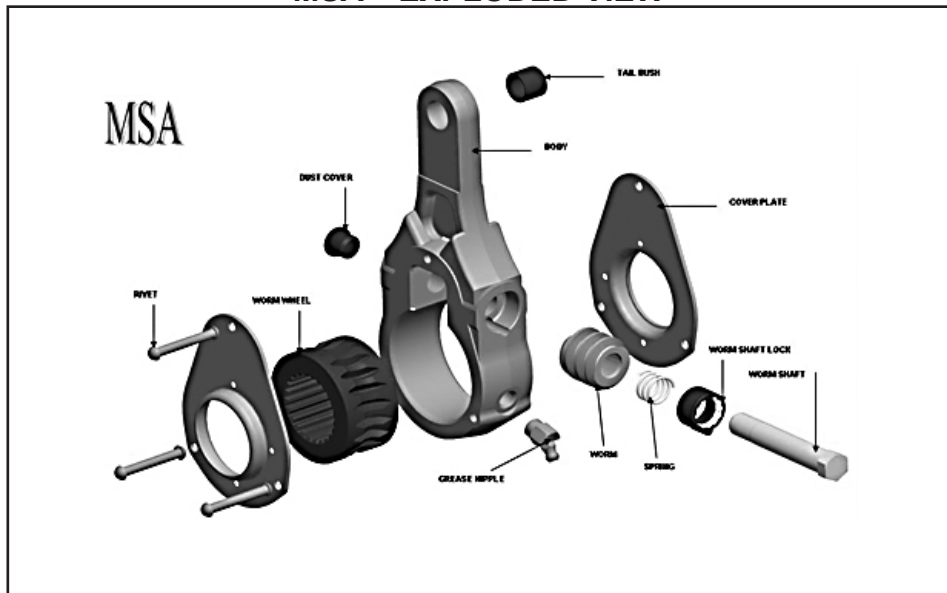
VECV - Repair Kit Assembly (S-ASA)

Application	MEI Part No	Description
For all SASA	MEI RK 001	Minor Repair Kit
For all SASA	MEI RK 002	Major Repair Kit
For all SASA Except - S2280	MEI-SASA-34620	Cover Plate Assembly
For SASA - S2280	MEI-SASA-1678/35060	Cover Plate Assembly(Grommet)

SML & AMW - Repair Kit Assembly (S-ASA)

Application	MEI Part No	Description
For all SASA	MEI RK 001	Minor Repair Kit
For all SASA	MEI RK 002	Major Repair Kit
For all SASA	MEI-SASA-34620	Cover Plate Assembly

MSA – EXPLODED VIEW



MANUAL SLACK ADJUSTER

TML - Manual Slack Adjuster

OEM	OE Part No	MEI Part No	VEHICLE CONFIGURATION				PRODUCT CONFIGURATION			
			Front	Rear	LH	RH	Straight	Offset	CD	Spline
TML	257342110157	MEI MSA 18-01	✓	✓	✓	✓	✓		140	24x1.5
TML	257342310178	MEI MSA 18-02		✓		✓		16	140	24x1.5
TML	257342310177	MEI MSA 18-03		✓	✓			16	140	24x1.5
TML	264142310118	MEI MSA 18-27		✓		✓		16	140	24x1.25
TML	264142310117	MEI MSA 18-28		✓	✓			16	140	24x1.25
TML	264142110160	MEI MSA 18-29	✓	✓	✓	✓	✓		140	24x1.25
TML	257642300136	MEI MSA 18-35		✓	✓			43	140	24x1.5
TML	257642300137	MEI MSA 18-36		✓		✓		43	140	24x1.5
TML	215342300124	MEI MSA 18-40		✓	✓			43	140	24x1.25
TML	215342300125	MEI MSA 18-41		✓		✓		43	140	24x1.25
TML	278242300101	MEI MSA 18-70	✓	✓	✓	✓	✓		140	24x1.5

AL - Manual Slack Adjuster

OEM	OE Part No	MEI Part No	VEHICLE CONFIGURATION				PRODUCT CONFIGURATION			
			Front	Rear	LH	RH	Straight	Offset	CD	Spline
AL	F8366000	MEI MSA 18-10					✓		160	10
AL	F8367000	MEI MSA 18-223					✓		140	24x1.25
AL	F8367100	MEI MSA 16-43		✓	✓			16	160	10
AL	F8368900	MEI MSA 16-44		✓		✓		16	160	10
AL	F3P00100	MEI MSA 18-150		✓	✓			38.10	160	10
AL	F3P00200	MEI MSA 18-151		✓		✓		38.10	160	10

VECV - Manual Slack Adjuster

OEM	OE Part No	MEI Part No	VEHICLE CONFIGURATION				PRODUCT CONFIGURATION			
			Front	Rear	LH	RH	Straight	Offset	CD	Spline
VECV	NA	MEI MSA 18-01	✓	✓	✓	✓	✓		140	24x1.5
VECV	NA	MEI MSA 18-02		✓		✓		16	140	24x1.5
VECV	NA	MEI MSA 18-03		✓	✓			16	140	24x1.5
VECV	NA	MEI MSA 18-27		✓		✓		16	140	24x1.25
VECV	NA	MEI MSA 18-28		✓	✓			16	140	24x1.25
VECV	NA	MEI MSA 18-29	✓	✓	✓	✓	✓		140	24x1.25

MTBL - Manual Slack Adjuster

OEM	OE Part No	MEI Part No	VEHICLE CONFIGURATION				PRODUCT CONFIGURATION			
			Front	Rear	LH	RH	Straight	Offset	CD	Spline
MTBL	7712BAU00011N	MEI MSA 18-01	✓	✓	✓	✓	✓		140	24x1.5

SML - Manual Slack Adjuster

OEM	OE Part No	MEI Part No	VEHICLE CONFIGURATION				PRODUCT CONFIGURATION			
			Front	Rear	LH	RH	Straight	Offset	CD	Spline
SML	LP4926970	MEI MSA 18-29	✓	✓	✓	✓	✓		140	24x1.25

AMW - Manual Slack Adjuster

OEM	OE Part No	MEI Part No	VEHICLE CONFIGURATION				PRODUCT CONFIGURATION			
			Front	Rear	LH	RH	Straight	Offset	CD	Spline
AMW	281010017	MEI MSA 18-165		✓	✓	✓	✓		160	10
AMW	281000018	MEI MSA 18-111	✓		✓	✓	✓		140	10

MANUAL SLACK ADJUSTER – REPAIR KIT

TML - MSA Repair Kit

Application	MEI Part No	Description
All 18 Series MSA Assemblies	MRK 18 / 1	Minor Repair Kit
For all 18 Series MSA Assemblies	MRK 18 / 2	Major Repair Kit
For all 18 Series MSA Assemblies	WPMSWO1480999/W/14/8/004	Worm - 8mm
For all 18 Series MCV / HCV Models	WPMSWG24012999/WW/24/30/017	Worm Gear - 24 X 1.5 - 8 mm
For all 18 Series - LCV / ICV / 1109 / 1112	WPMSWG10027999/WW/24/32/017	Worm Gear - 24 X 1.25 - 8 mm
For all Old Models - MCV / HCV / LCV	WPMS14020999/W/14/6.35/006	Worm - 6.35 mm
For all Old Models - MCV / HCV	WPMSWG24038999	Worm Gear - 24 X 1.5 - 6.35 mm

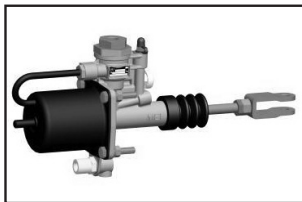
AL - MSA Repair Kit

Application	MEI Part No	Description
For all 16 Series MSA Assemblies - Old models	MRK 16 /1	Minor Repair Kit
For all 16 Series MSA Assemblies - Old models	MRK 16 /2	Minor Repair Kit
For all 18 Series MSA Assemblies	MRK 18 /1	Minor Repair Kit
For all 18 Series MSA Assemblies	MRK 18 /2	Major Repair Kit
For all 18 Series MSA Assemblies	WPMSWO1480999/W/14/8/004	Worm - 8mm
For all 18 Series MCV / HCV Models	WPMSWG10013999/WW/10/8/013	Worm Gear -10 Spline - 8 mm
For all Old Models MCV / HCV	WPMS14020999/W14/6.35/006	Worm - 6.35 mm
For all Old Models MCV / HCV	WPMSWG10027999/WW/10/32/027	Worm Gear - 10 Spline - 6.35 mm

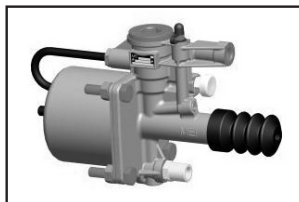
MSA - Minor & Major Kit

Application	MEI Part No	Description
For all 18 Series MSA Assemblies	MRK 18 / 1	Minor Repair Kit
For all 18 Series MSA Assemblies	MRK 18 / 2	Major Repair Kit

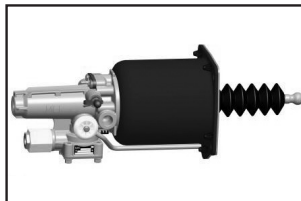
CLUTCH BOOSTER ASSEMBLY



CB 70 DIA

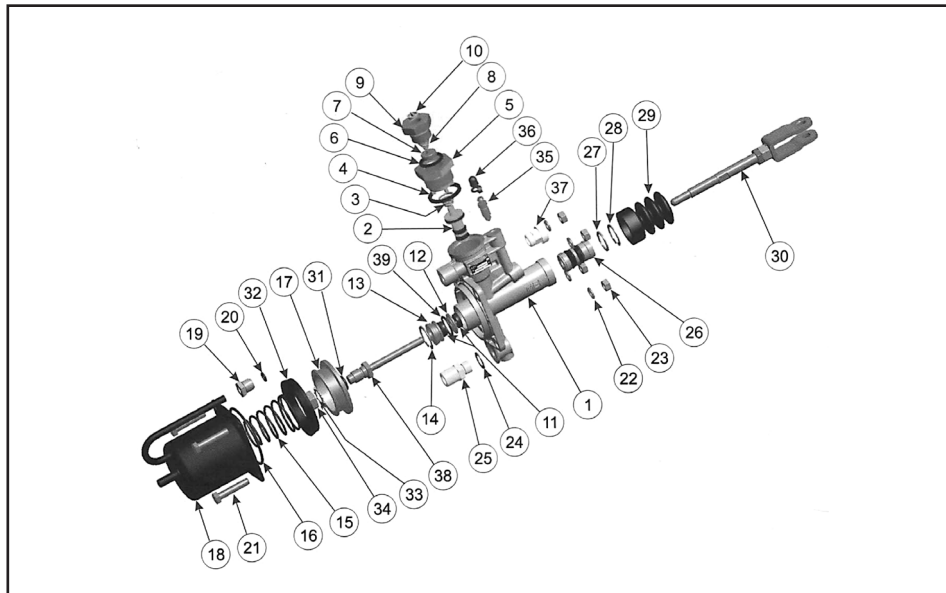


CB 90 DIA



CB 102 DIA

Clutch Booster Assembly Dia 70 & Exploded View



Reference No.	Part No.	Part Description	Qty	
1	321221	Control Valve Body	1	
○ ⊗	2	310250	Relay Piston Assembly	1
○ ⊗	3	321320	Conical Spring	1
○ ⊗	4	320400	Seal Washer	1
5	320811	Check Valve Body	1	
○ ⊗	6	320050	Seal Washer	1
○ ⊗	7	320040	Poppet Valve	1
○ ⊗	8	320030	Conical Spring	1
9	320060	Adaptor Plug	1	
○ ⊗	10	321610	Air Filter	1
○ ⊗	11	600450	Rod Seal	2
12	600540	Special Washer	1	
13	320710	Back Seal Adaptor	1	

⊗	14	600400	Internal Circlip	1
⊗	15	321750	Conical Spring - Rear	1
○ ⊗	16	600260	O-Ring	1
	17	320821	Air Piston	1
	18	310080	Air Cylinder Assembly	1
	19	320240	M14 Air Adaptor	1
○ ⊗	20	600240	O-Ring	1
	21	600200	Hexagon Head Screw	4
	22	600190	Spring Washer	4
	23	600220	Nut	4
○ ⊗	24	600230	Washer	1
	25	600870	M14XM12 Adaptor Plug	1
○ ⊗	26	310030	Hydraulic Piston Assembly	1
⊗	27	600160	Washer	1

⊗	28	600170	Internal Circlip	1
○ ⊗	29	320360	Boot	1
	30	310120	Push Rod Assembly	1
○ ⊗	31	600110	O-Ring	1
○ ⊗	32	600100	Piston Seal	1
⊗	33	600090	External Tooth Lock Washer	1
	34	600120	Nut	1
○ ⊗	35	321230	Bleed Screw	1
○ ⊗	36	320100	Bleed Screw Guard	1
○ ⊗	37	310130	Air Breather Assembly	1
	38	320191	Push Rod	1
○ ⊗	39	600660	O-Ring	1
○ ⊗		601370	Grease Pack - 10 gm	1

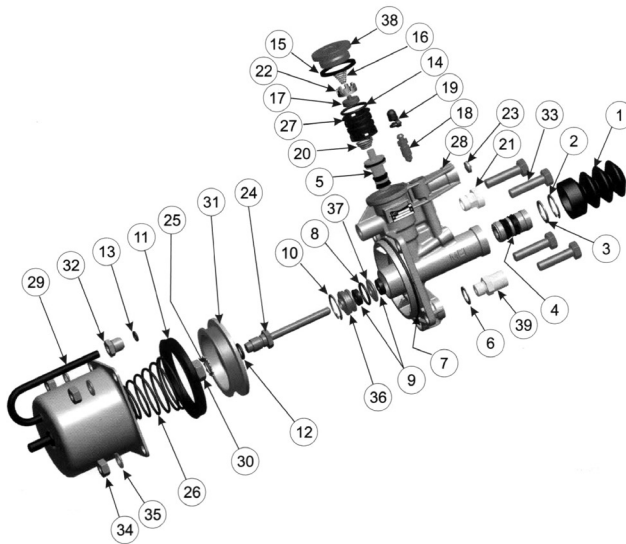
RP-CB-70-01 Minor Repair Kit Consists of Item Marked - ○

RP-CB-70-02 Major Repair Kit Consists of Item Marked - ⊗

CONFIGURATION

Vehicle Application	OE Part No	MEI Part No
LP 909 MFIP BS3 / LP709 MFIP TMML without Push Rod	264229100150	300120
LP 909 MFIP BS3 / LP 709 MFIP TMML For a FMKT with 174mm Push Rod	502729100120	300130
LPT 1613 Cabin with 180mm Push Rod	502729300101	300350
LPT 1613 Cowl with 170mm Push Rod	502729300102	300380

Clutch Booster Assembly Dia 90 & Exploded View



Reference No.	Part No.	Part Description	Qty
⊗ 1	320360	Boot	1
○ ⊗ 2	600170	Internal Circlip	1
○ ⊗ 3	600160	Washer	1
○ ⊗ 4	310030	Hydraulic Piston Assembly	1
○ ⊗ 5	310250	Relay Piston Assembly	1
○ ⊗ 6	600230	Washer	1
○ ⊗ 7	600470	O-Ring	1
○ ⊗ 8	600660	O-Ring	1
○ ⊗ 9	600450	Rod Seal	2
⊗ 10	600400	Internal Circlip	1
○ ⊗ 11	600480	Piston Seal	1
○ ⊗ 12	600110	O-Ring	1
○ ⊗ 13	600240	O-Ring	1

○ ⊗	14	601000	O-Ring	1
○ ⊗	15	320400	Seal Washer	1
○ ⊗	16	320030	Conical Spring	1
○ ⊗	17	320040	Poppet Valve	1
○ ⊗	18	321230	Bleed Screw	1
○ ⊗	19	320100	Bleed Screw Guard	1
○ ⊗	20	321320	Conical Spring	1
○ ⊗	21	310130	Air Breather Assembly	1
⊗	22	321520	Spacer Sleeve	1
○ ⊗	23	321610	Air Filter	1
⊗	24	320191	Push Rod	1
⊗	25	600090	External Tooth Lock Washer	1
⊗	26	321600	Conical Spring	1
○ ⊗	27	321280	Check Valve Body - Sleeve	1

28	321261	Control Valve Body	1
29	310380	Air Cylinder Assembly	1
30	600120	Nut	1
31	321061	Air Piston	1
32	320240	M14 Air Adaptor	1
33	600490	Hexagon Head Screw	4
34	600510	Nut	4
35	600500	Spring Washer	4
36	320710	Back Seal Adaptor	1
37	600540	Special Washer	1
38	321290	M34 Plug	1
39	600870	M14xM12 Adaptor Plug	1
○ ⊗	601370	Grease Pack - 10 gm	1

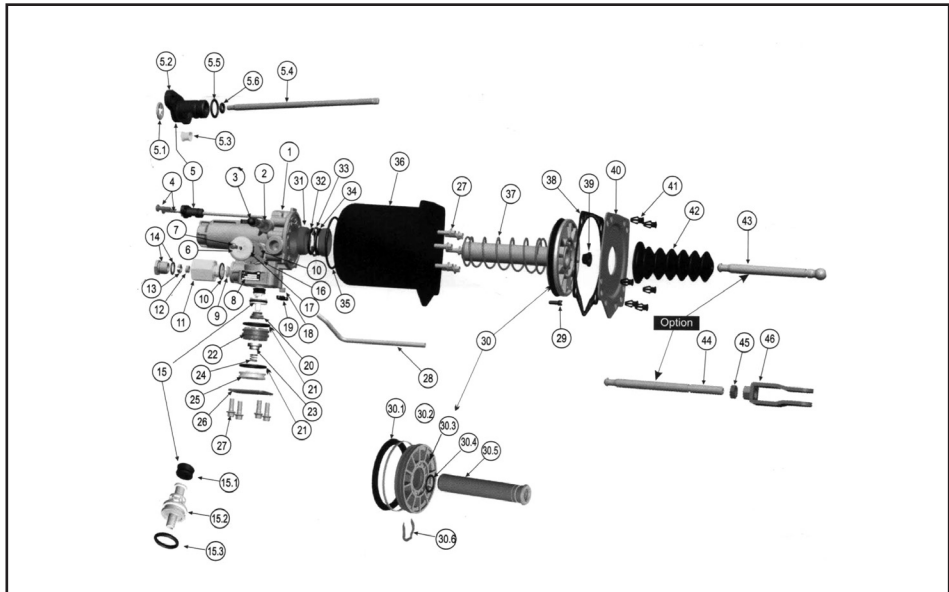
RP-CB-90-01 Minor Repair Kit Consists of Item Marked - ○

RP-CB-90-02 Major Repair Kit Consists of Item Marked - ⊗

CONFIGURATION

Vehicle Application	OE Part No	MEI Part No
LP 912/Ultra 812/LPT 810/LPT 909/LPT 709 LPO 10.2 T / LPO 8.5 T Y1 / Y1 Ultra 7T /LP 1112/LPT 1109/ Ultra 1012	282129100101	300150

Clutch Booster Assembly Dia 102 & Exploded View



Reference No.	Part No.	Part Description	Qty
○ ⊗	310420	RELAY PISTON ASSEMBLY.	1
○ ⊗	321530	RELAY PISTON	1
⊗	601660	RELAY PISTON SEAL	1
⊗	321470	CONICAL SPRING(Relay Piston)	1
⊗	321560	CHECK VALVE BODY SLEEVE	1
○ ⊗	601670	O RING	2
○ ⊗	321550	POPPET VALVE	1
⊗	321540	RETURN SPRING	1
⊗	321660	TOP SPACER	1
⊗	601800	M6 FLANGE BOLT	10
⊗	320100	BLEED SCREW GAURD	1
○ ⊗	321230	BLEED SCREW	1
⊗	600880	ROD SEAL - DIA 25.4	2

⊗	601700	SPACING WASHER	1
⊗	601720	INTERNAL CIRCLIP	1
⊗	601810	METAL SPACING WASHER	1
○ ⊗	601210	O RING	1
⊗	321150	CONICAL SPRING(Air Piston)	1
○ ⊗	600060	O RING	1
○ ⊗	601250	O RING	1
⊗	601390	GUIDE STRIP - DIA 102	1
⊗	601400	AIR PISTON SEAL - DIA 102	1
⊗	321590	LOCK SLEEVE	1
⊗	601230	TRANSFER PLUG	1
⊗	601380	GASKET - DIA 102	1
○ ⊗	601730	COVER PLATE LOCK	6
○ ⊗	321380	BOOT	1

⊗	601760	LOCK CLIP	1
⊗	601480	FILTER SPONGE	1
○ ⊗	601370	GREASE PACKET	1
○	321640	CAP	1
⊗	600320	LOCK NUT	1
○ ⊗	321360	WEAR SENSOR ADAPTOR	1
⊗	321370	FRICTION SPRING	1
○ ⊗	601270	O RING	1
○ ⊗	601690	O RING	1
⊗	601710	M5 PAN HEAD SCREW	2
⊗	601290	INTERNAL TOOTH LOCK WASHER	1
⊗	321410	EXHAUST ADAPTOR	1
○ ⊗	601680	O RING	2
⊗	601030	RUBBER DISC - EXHAUST	1

○	320580	EXHAUST COVER	1
⊗	601320	M4 PAN HEAD SCREW	1
○ ⊗	321120	AIR FILTER	1
○ ⊗	601340	TRANSFER TUBE	1
			63
	300250	Push rod - Yoke type 212 mm (OE)	
	300360	Push rod - Ball type 122 mm (OE)	
	300110	Push rod - 212 mm (After Market)	

RP-CB-102-03 Minor Repair Kit Consists of Item Marked ○

RP-CB-102-04 Major Repair Kit Consists of Item Marked ⊗

CONFIGURATION

Vehicle Application	OE Part No	MEI Part No
LPT 3718/LPK 3118/LPT 3123/SIGNA 4923/4018/LPS 3518/LPK 2523/LPT 2518 /LPK 2516/LPT 1918/LPT 1618/LPT 1615/1613 BSIV/LPT 1517/1518/1216/1116	503029300102	300250
SIGNA 4923/4018/LPS 3518	503929300109	300360
LPT 3718/LPK 3118/LPT 3123/SIGNA 4923/4018/LPS 3518/LPK 2523/LPT 2518 /LPK 2516/LPT 1918/LPT 1618/LPT 1615/1613 BSIV/LPT 1517/1518/1216/1116	NA	300110



DIAPHRAGM

Part Number	Description	Application
122220	Diaphragm Curved Wall/Regular	Type 16 Brake Chambers
122310	Diaphragm Curved Wall/Regular	Type 20 Brake Chambers
122311	Diaphragm Deep Wall	Type 20 Brake Chambers
122330	Diaphragm Curved Wall/Regular	Type 24 Brake Chambers
122331	Diaphragm Deep Wall	Various Spring Brake actuators - 25/75 Type 24



DRAIN VALVE



STOP LIGHT SWITCH



LOW PRESSURE SWITCH

Part Number	Description	Application
210150	Stop Light Switch	All Commercial Vehicles
210830	Drain Valve	All Commercial Vehicles
210040	Low Pressure Switch	Ashok Leyland All Models
210450	Low Pressure Switch	TATA All Models



AIR HOSE ASSEMBLIES

Part Number	Description	Application
501340	Comp.Delivery Hose	Ashok Leyland
501220	Front Hose	Ashok Leyland
501580	Front Long Hose	Ashok Leyland
501750	Rear Hose	Ashok Leyland
501020	Hand Brake Hose	Ashok Leyland & TATA
501570	Front Hose	TATA
501560	Rear Hose	TATA,Eicher & SML



BRAKE PAD

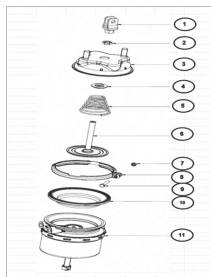
Part Number	Description	Application
220010	Brake Pad Kit-Front	Scorpio
220020	Brake Pad Kit-Front	Xylo/Bolero/TUV
220040	Brake Pad Kit-Front	i10/i20 PET
220050	Brake Pad Kit-Front	Grand i10/XCENT
220100	Brake Pad Kit-Front	Santro Xing
220030	Brake Pad Kit-Front	i20 DSL/Verna
220090	Brake Pad Kit-Front	Accent/Getz
220080	Brake Pad Kit-Front	Fludic Verna/ i20 elite
220070	Brake Pad Kit-Front	Swift/Dzeir/Ritz
220120	Brake Pad Kit-Front	Alto/Wagon R/Celerio/Estilo Zen
220060	Brake Pad Kit-Front	Ertiga
220110	Brake Pad Kit-Front	Ace/Indica



BRAKE SHOE

Part Number	Description	Application
220130	Brake Shoe kit	800 CC TVS
220200	Brake Shoe kit	800 CC KBX
220190	Brake Shoe kit	Swift
220230	Brake Shoe kit	Alto/Wagon-R TVS
220150	Brake Shoe kit	Alto/Wagon-R KBX
220220	Brake Shoe kit	TATA Ace -TVS
220140	Brake Shoe kit	TATA Ace -KBX
220250	Brake Shoe kit	Nano Front

Part Number	Description	Application
220180	Brake Shoe kit	Nano Rear
220260	Brake Shoe kit	Santro
220210	Brake Shoe kit	Accent
220170	Brake Shoe kit	i10
220270	Brake Shoe kit	Verna
220240	Brake Shoe kit	Grand i10
220160	Brake Shoe kit	Eon



SPRING BRAKE ACTUATOR REPAIR KIT

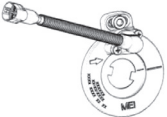


Part Number	Description	Application
122523	SBA Repair Kit Without Diaphragm	(AL/TATA)
122524	SBA Repair Kit With 330 Diaphragm	(AL/TATA)
122525	SBA Repair Kit With 311 Diaphragm	(AL/TATA)
122526	SBA Repair Kit With 331 Diaphragm	(AL/TATA)
122527	SBA Repair Kit With 310 Diaphragm	(AL/TATA)

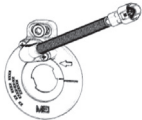
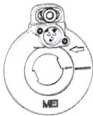

SBA REPAIR KIT ASSEMBLY



Sl. No	Description	Part No	Qty	122523	122524	122525	122526	122527
1	Flange 'O' ring	600830	1	✓	✓	✓	✓	✓
2	Stem Plug 'O' ring	600790	1	✓	✓	✓	✓	✓
3	Ram Seal	120420	1	✓	✓	✓	✓	✓
4	Guide Ring (Small)	120390	1	✓	✓	✓	✓	✓
5	Cylinder 'O' ring	600760	1	✓	✓	✓	✓	✓
6	Slotted Spring Pin	601130	1	✓	✓	✓	✓	✓
7	Elbow	120870	2	✓	✓	✓	✓	✓
8	Guide Ring(Big)	120430	1	✓	✓	✓	✓	✓
9	Split Pin	120161	1	✓	✓	✓	✓	✓
10	Washer	601140	1	✓	✓	✓	✓	✓
11	Tube	120880	1	✓	✓	✓	✓	✓
12	Grease Sachet	110350	1	✓	✓	✓	✓	✓

Sl. No	Description	Part No	Qty	122523	122524	122525	122526	122527
13	Dust Cap	120102	1	✓	✓	✓	✓	✓
14	Diaphragm	-	-	X				
15	Diaphragm Type 24	122330	1		✓			
16	Diaphragm Type 20 M	122311	1			✓		
17	Diaphragm Type 24 M	122331	1				✓	
18	Diaphragm Type 20	122310	1					✓

BRAKE LINING WEAR SENSOR FOR TATA MOTORS APPLICATIONS

Sketch	MEI Part No.	TML Part No.	Description
	<p style="text-align: center;">500180 Assembly of 500020 and 500060</p>	<p style="text-align: center;">2778 4230 0197</p>	<p>Wear Sensor with Cable Assembly - Complete - Clock Wise</p>
	<p style="text-align: center;">500020</p>	<p style="text-align: center;">2778 4230 0188</p>	<p>Wear Sensor Assembly - Clock Wise</p>
	<p style="text-align: center;">500060</p>	<p style="text-align: center;">4101 5460 0121</p>	<p>Cable Assembly - Clock Wise</p>

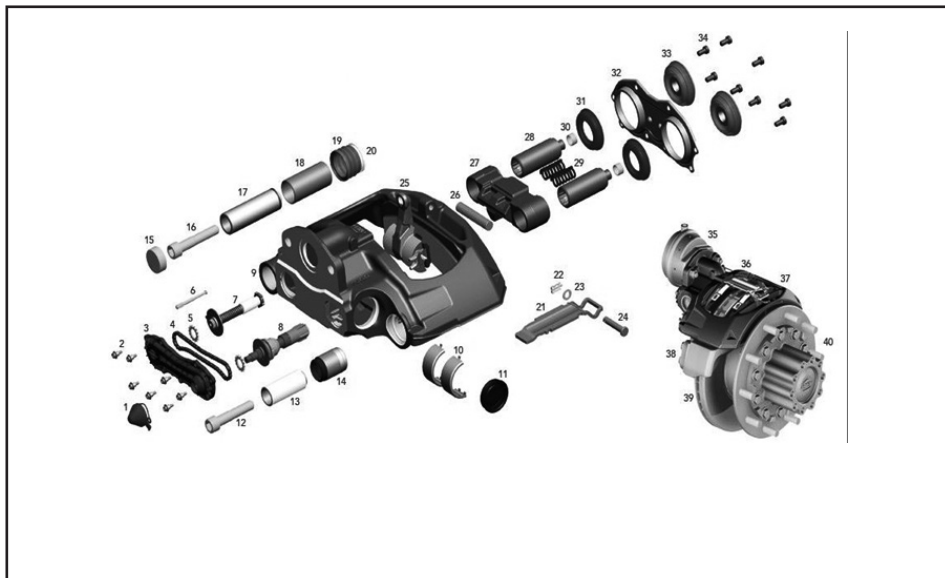
Sketch	MEI Part No.	TML Part No.	Description
	500190 Assembly of 500030 and 500210	2778 4230 0198	Wear Sensor with Cable Assembly - Complete - Counter Clock Wise
	500030	2778 4230 0189	Wear Sensor Assembly - Counter Clock Wise
	500210	4101 5460 0122	Cable Assembly - Counter Clock Wise

Sketch	MEI Part No.	TML Part No.	Description
	500040	4101 5430 4901	Display Unit Assembly - 2 Wheel Sensing
	500050	4101 5430 4902	Display Unit Assembly - 4 Wheel Sensing

Air Disc Brake – Caliper Assembly



CALIPER ASSEMBLY – EXPLODED VIEW



Caliper Assembly - Part Description

1. Adjuster Cap	11. Side Plug	21. Pad Retainer	31. Secondary Seal
2. Chain Cover Bolt	12. Short Guide Sleeve Bolt	22. Pad Retainer Clip	32. Cover Plate
3. Chain Cover	13. Short Guide Sleeve	23. Pad Retainer Washer	33. Tappet Boot Assembly
4. Chain	14. Short Guide Sleeve Bush	24. Pad Retainer Pin	34. Cover Plate Bolt
5. Sprocket	15. Long Guide Sleeve End Cap	25. Lever Assembly	35. Air Chamber
6. Pad Wear Warning Indicator Pin	16. Long Guide Sleeve Bolt	26. Lever Roller	36. Inboard Pad
7. Secondary Adjuster Assembly	17. Long Guide Sleeve	27. Actuation Block	37. Outboard Pad
8. Primary Adjuster Assembly	18. Brass Bush	28. Piston	38. Carrier
9. Housing	19. Guide Sleeve Boot (big)	29. Return Spring	39. Brake Disc
10. Needle Bearing	20. Guide Sleeve Boot (small)	30. Tappet Bush	40 Hub Assembly

ADB VEHICLE MATRIX'S

Sl. No	Vehicle	Model	Axle Make	Position	Caliper Type	Caliper Part No	KB Part No	BC Position	Cable Type	Sensor Type	MEI Part No
1	Benz	0500R 1830/30	Benz	LH1	SN7	SN7245	K005694	0	Screw	Linear	5C1420
				RH1	SN7	SN7255	K005695	0	Screw	Linear	5C1425
				LH2	SN7	SN7309	K066610	8	Screw	Linear	5C1620
				RH2	SN7	SN7319	K066611	8	Screw	Linear	5C1625
				LH3	SN7	SN7047	K056960	-12	Screw	Linear	5C1125
					SN7	SN7057	K056961	-12	Screw	Linear	5C1120
2	TATA	1623LPO	ZF	LH1	SN7	SN7186	K003783	0	NA	NA	5C1400
					SN7	SN7196	K003784	0	NA	NA	5C1405
3	SCA-NIA	HD360 IB	SCANIA	LH1	SN7	SN7264	K040953	0	Clip	Linear	5C1450
				RH1	SN7	SN7274	K040954	0	Clip	Linear	5C1455
				LH2	SN7	-	-	-	Clip	Linear	-
				RH2	SN7	-	-	-	Clip	Linear	-
				LH3	SN7	-	-	-	Clip	Linear	-
					SN7	-	-	-	Clip	Linear	-
4	Goldstone	Battery Bus	ZF	LH1	SN7	-	-	-	-	-	-
					SN7	-	-	-	-	-	-

SALES NETWORK EASTERN REGION WSD

PREMIER INDUSTRIAL
9, Surendra Mohan Ghosh Sarani
{Formerly Mangoe Lane}
Ground Floor, Unit No. : 23
Kolkata- 700001, West Bengal
PH: 022 293851/033-22290766
E-mail: premierindustrial@yahoo.com

GANPATI MOTORS
27a Waterloo Street, 1st Floor,
Near Lalit Great Eastern Hotel
Kolkata- 700 001, West Bengal
Ph: 033-22623613, 9830216920
E-mail: ganpatimotors27@gmail.com

PAWAN AUTOMOBILES
Chaman Complex
Opp Sevoke Road Post Office
Sevoke Road, Siligur - 734 001
West Bengal
PH: 0353-2642578, 2778806,
9434012520
E-mail: pawanautoslg@yahoo.co.in

MAHESH MOTORS PVT LTD.
Govind Kunj behind Parmeshwari
Market Road by Lane Chatribari
Guwahati -781001, Assam
PH: 9435018372
E-mail: maheshmotor@hotmail.com

ARUNODAYA TRADERS
Nh-5 Gandharpur
Cuttack-753003, Odisha
Ph: 0671-2441085
E-mail: arungoenka@gmail.com

**ROYAL SPARES & ACCESSORIES
PRIVATE LIMITED**
Nilaadri Bihar Square, Aska Road
Behrampur-760 001
Odisha
PH: 0680-2205443, 9437017443
E-mail: royaltata@rediffmail.com

NATIONAL INDUSTRIAL SPARES
G/3, Rekhraj Tower
Behind South Indian Bank
New Kalimati Road, Sakchi,
Jamshedpur- 831 001
Jharkhand PH: 9431111581
E-mail: sjawanpuria@gmail.com

P K AUTO AGENCY
Amrud Bagan
Ratu Road, Ranchi
Ranchi - 834001, Assam
PH: 0651-2285032, 9431109292
E-mail: pkm_7364@yahoo.co.in

MODERN OIL COMPANY
Katrass Road, Matkuria
Dhanbad - 826 001
Jharkhand
Ph: 0326-2304103, 2304645,
9431723034
E-mail: moc.suresh@gmail.com

PARTAP SINGH & SONS
Manfit Line No.6, (Po) Telco
Jamshedpur-831 104
Jharkhand
Ph: 0657-2270140, 8051054342
E-mail: pssjamshedpur@gmail.com

RAVI AUTO AGENCY
Opp. Old SBI Building
Infront Of the Chandran Automobiles
Kankarbagh Main Road
Patna – 800020, Bihar
Ph: 94310 24867
E-mail: raviautoagency@rediffmail.com

SAANVI TRADERS,
NH6, Panchgachia, Jana Complex,
Near Gurudwara, Sambalpur,
Odisha- 768 006.

MAHAVIR AUTO PARTS,
Kolkata,
West Bengal.

PARTAP SINGH & SONS
1386, Motor Life Building
Nicholson Road
Kashmiri Gate, Delhi-110 006
PH: 09013068946, 09654748962

PARTAP SINGH & SONS
No 271, West Rajiv Nagar, Near Shiv
Mandir, Gurgaon, Haryana- 122 001,
Ph: 0124 - 4039 334
E-mail: gurgaon@pssao.com

PARTAP SINGH & SONS
Shop No.19, Transport Nagar
Opp Paliji Ki Dhaba, Jaipur - 302 003,
Rajasthan Ph: 0141 4109321
E-mail: jaipur@pssao.com

NEPAL
ANNAPORNA AUTO TRADE CENTRE
In Front Of Sipridi Trading
(Naya Naikap)
Satungal, Ward No.8,
Kathmandu, Nepal
Ph: 01431 5222, 9851 010699
Email:aatc2008@yahoo.com

NORTHERN REGION

PARTAP SINGH & SONS
No 4/18, Transport Nagar
Agra - 282 007, Uttar Pradesh
Ph: 0562-260 0672
E-mail: pssagra@pssao.com

PARTAP SINGH & SONS
No.122/86, Sarojini Nagar
Kanpur - 208 012, Uttar Pradesh
PH: 0512 2222644
E-mail: kanpur@pssao.com

PARTAP SINGH & SONS
Shop No 279, Transport Nagar
Jalandhar - 144 004, Punjab
Ph: 0181 - 5093232
E-mail: jal@pssao.com

PARTAP SINGH & SONS
Chauhan Complex, Ground Floor
Hotel Park Inn, Sector-2,
District-Solan Parwanoo - 320 471,
Himachal Pradesh
PH: 01792-232245
E-mail: parwanoo@pssao.com

PARTAP SINGH & SONS-DEHRADUN
No 40/1, Rest Camp West
Dehradun - 248 001, Uttarakhand
PH: 0135 2723500
E-mail: dehradun@pssao.com

PARTAP SINGH & SONS
SCF 459, Cabin No.1, Basement
New Motor Market, Manimajira
Chandigarh - 160 101, Haryana

PH: 0172-5061996
E-mail: pssmanimajra@gmail.com

LMC ENTERPRISES PRIVATE LTD
Head Office: 3440 Nicholson Road,
Kashmiri Gate, Delhi - 110 006
PH: 98100 19494

LMC ENTERPRISES PRIVATE LTD
123/648/415 D, Guru Nanak Motor
Market, Kanpur - 208012
Uttar Pradesh
PH: 0512 2237313
E-mail: apandey@lmcent.com

LMC ENTERPRISES PRIVATE LTD
108/3 Chander Nagar
Dehradun- 248001, Uttarakhand
PH: 0135-2627695
E-mail: jgupta@lmcent.com

LMC ENTERPRISES PRIVATE LTD
101, New DIF Industrial Area
Faridabad - 121003, Haryana
PH: 0129404552
E-mail: fbd@lmcent.com

LMC ENTERPRISES PRIVATE LTD
3459 & 3473,
First Floor Nicholson Road,
Delhi-110 006
PH: 011 23910460, 2392 6095
E-mail:dli@lmcent.com

LMC ENTERPRISES PRIVATE LTD
8, Palika Bazaar, G.T. Road,
Ghaziabad - 201001
PH: 2120 2722060
E-mail: gzb@lmcent.com

LMC ENTERPRISES PRIVATE LTD
149, TRANSPORT NAGAR,
AMRISTAR ROAD,
JALANDHAR - 144 004
PH: 0181 229 0119
E-mail:jln@lmcent.com

MOHAN TRADING CORPORATION
213, Guru Nanak Auto Market
New Delhi-110 006
PH: 011 2396 0814
Email: manmohan.mtc@gmail.com

CHAWLA AUTO AGENCY
B-18, Palika Truck Stand,
Near New Bus Stand, G.T.Road,
Ghaziabad - 201 002, Uttar Pradesh
PH: 0120 2830396
E-mail: chawlaautoagency@yahoo.co.in

J.K.ENTERPRISES
597/43, Krishna Nagar, Hisar
Haryana- 125001
PH: 941650756
E-mail: j.kprincesethi@gmail.com

DAYAL MOTORS
Nirankari St. No.6, Miller Ganj,
G.T.Road, Ludhiana- 141003
Punjab. PH: 161 2544 218
E-mail: dayalmotor@yahoo.com

HIMACHAL MOTORS
18-D, Dalhousie Road,
Pathankot- 145 001
Punjab.PH: 9988119706
E-mail: himachal_motors@yahoo.com

PUSHP AUTOMOBILE
Ladowali Road, Jalandhar 144 001
Punjab. PH: 0181-2456742
E-mail: pushpautomobiles@gmail.com

ARORA AUTOMOTIVE

Arora Building, 861, Chopasini Road,
Jodhpur - 342 008, Rajasthan
PH: 0291- 2435677/2613783
E-mail: vishalarora861@gmail.com

GOYAL AUTOMOBILES

A-6, Transport Nagar
Jaipur- 302 003, Ph: 9414056793
E-mail:
goyalautomobileagency@yahoo.co.in

ANAND AUTO AGENCY

122/78, Sarojini Nagar
Kanpur - 208 012, Uttar Pradesh
PH: 0591-2296061
E-mail: manavkohli@hotmail.com

J.P.AUTO AGENCIES

C.27/62, Jagatganj, Varanasi- 221 001
Uttar Pradesh, PH: 0542-2202209
E-mail: jpautoagencies@yahoo.com

BHAGIRATI MOTORS

Lakshman Jhula Road,
Rishikesh- 249201, Uttarakhand
PH: 9258067014
E-mail: bhagirathimotors.bm@gmail.com

SUDARSHAN AUTO STORE

Shop.No.72 Yard No.6,
Transport Nagar, Narwal - 180006
Jammu & Kashmir
PH: 0186-2223506
E-mail: vishaljagotra20@gmail.com

DAULAT MOTOR COMPANY

D-205 Ram Marg, Hanuman Nagar
Jaipur- 302021, Rajasthan
PH: 0141-2353795
E-mail: tarunjain.dmc@gmail.com

DAULAT MOTOR COMPANY

Hari Singh Building,
Behind Shafi Petrol Pump
Bombay Motor Circle,
Chopasini Road, Jodhpur- 342 008,
Rajasthan. PH: 98280 20874
E-mail: dmcjodhpur@gmail.com

ASIAN CAR CHOICE

Batmalloo, Near General Bus Stand
Shri Nagar- 190009,
Jammu & Kashmir
PH: 0194-2474295
E-mail: asiancarchoice13@yahoo.co.in

SURYA AUTOMOBILES

Shop.No.4, Old Jail Road
Kamala Palace, Gurgaon- 122001
Haryana, PH: 0124-2305763
E-mail: surya.automobile@yahoo.com

AMBA INDUSTRIES

Opp. Markfed,
Golden Grain Club Road,
Khanna, Ludhiana,
Punjab-141 401.

**CHIRAG (INDIA) AUTOMOTIVE
PRIVATE LIMITED**

Shri Vasupujya Complex,
Near Temple Dadabari,
Mewar Motors Link Road,
Udaipur – 313003, Rajasthan.
PH: 9829240200
E-mail: ciapludr@gmail.com

RAJASTHAN AGENCY

0-10, Transport Nagar,
Bhilwara-311 001

DMS SERVICE & SPARES

BAD 31, Transport Nagar,
Haldwani, Nainital,
Uttarakhand-263 139.

RAJVIR AUTO SERVICE STATION
Paras Doss Garden,
Bye Pass Road,
Shimla-171 001

SHREE MAHAVIR TRADING CO
Near PNB Bank, Hissar Road,
Rohtak, Haryana- 124 001.

S.M.A JALEEL
21, Chandrabanu Street,
Pudupet-600 002, Chennai
Ph: 9444441522
Tamilnadu

C.K.RAMU AUTO PARTS
No.14/4,
Byram Jung Bahadur li Lane,
Shop No F-16, 1st Floor, Anna Salai,
Chennai-600 002, Tamilnadu
PH: 044-28601610
E-mail: ckramuautoparts@yahoo.in

ANNAI AUTO CORPORATION

NOVA MOTORS
1251-E, Bara Bazar,
Kashmiri Gate, Delhi-110 006.

TOPSEL PVT LTD.
202, Vardan House, Chabi Ganj,
Kashmiri Gate, Delhi-110 006.

SOUTHERN REGION

Lakshmi Arcade 1st Floor
112/31, General Patters Road,
Mount Road,
Chennai-600 002, Tamilnadu
044-28603311
E-mail: annaiautocrop@yahoo.co.in

AMBAL AGENCIES
165/11, Chellappan Building,
Raja Street, Near New Bus Stand,
Perundurai-638052, Tamilnadu
PH: 04294 - 223036
E-mail:
ambal.agencies@rediffmail.com

GURU AUTO AGENCIES
33/1, Shop No.3, E.V.K.Sampath Salai

PRECISION MOTORS.
1089/10, Shiv Motor market,
Kashmiri Gate, Delhi-110 006.

VINOD AUTOMOBILES,
27, New Motor Market,
Kota, Rajasthan- 324 007.

Erode-638003, Tamilnadu
PH: 0424-2210616
E-mail: guruautoagencies@yahoo.com

SRI SABARI AGENCIES
585 / 127 A2a, Salem Road
Namakkal-637001, Tamilnadu
PH: 9843030323
E-mail:srisabari37@yahoo.com

SUNDARAM AGENCIES
16/12, North Veli Street,
Kamalathopu Lane,
Madurai-625001
Tamilnadu PH: 0452-2346471
E-mail:
sundaram.agencies@yahoo.co.in

VELU AUTO AGENCIES

78d, Tamil Sangam Road
Madurai-625 001, Tamilnadu
PH: 0452-2349196
E-mail: veluautoagencies@yahoo.in

VIVEK AUTO AGENCIES

Sri Raghavendra Illam,
Plot.No.51, Ameena Nagar Extension
Vandimedu, Villupuram-605 602,
Tamilnadu. PH: 04146-220913
E-mail: vivekautoagencies@yahoo.in

TRENDESS MARKETING

No.3, 7th Cross, H, Siddiah Road,
Bangalore-560027, Karnataka
Ph: 080 22292273/284
E-mail: trendess.mktg@gmail.com

SHRI SAI MOTORS

Karajagi Street, Oni, Old Hubli
Hubli 580 024, Karnataka
Ph: 0836-2210772
E-mail: saimotors8888@gmail.com

HINDUSTAN AUTO CORPORATION

Ga Complex, Opp. Sai Krishna Saudha,
Kankanadi Bye Pass, Pumpwell
Managalore-575 002
PH: 99014 69277
E-mail:naveenhac@yahoo.com

HINDUSTAN AUTO AGENCIES

39 & 54 Sir, M.V.Lorry Terminal
Bangalore (Bye Pass) Road
Bellary-583001, Karnataka
PH: 08392-271037
E-mail: khetanvimalkumar@gmail.com

QUALITY AGENCIES

C.T.S No 123/55 B, Vinayaka Sadan
H.No 84, Near 16 No. School
Behind Vijaya Bank, Hosur,
Hubli- 580 020, Karnataka.
Ph: 0836 4251301, 4250401
E-mail: qualityagencieshbl@gmail.com

KOCHIN AUTO DISTRIBUTORS

PRIVATE LIMITED
37/332a, Thachappallil Lane,
Temple Road, Kadavanthara,
Cochin-682020, Kerala
PH: 0484-6461794
E-mail: kadpl@yahoo.co.in

NOBLE AUTO AGENCIES

Indira Gandhi Road
Calicut-673004, Kerala
PH: 0495-2720635
E-mail: info@nobelautoagencies.com

NOBLE AUTO AGENCIES

32-1163-B, S.S.ARCADE
Nettayi Kodath Road, Palarivattom
Kochin-682025, Kerala
PH: 0484-3262406, 2339353
E-mail: Kochi@nobelautoagencies.com

**SECUNDRABAD ENGINEERING
CORPORATION**

5-3-368, Rashtrapathi Road
Secunderabad-500003
Andhra Pradesh
Ph: 98490 12613
E-mail: seamico@rediffmail.com,
mkr.secorp@gmail.com

INDIA AUTO CENTRE

D No.54-8-79, 2nd Cross, 2nd Road,
Auto Nagar, Vijayawada,
Andhra Pradesh-520 007
Ph: 0866-2542831
E-mail:iac.js2015@gmail.com

VAISHNO AGENCIES

26-1-12 Ramakrishna Junction
Bishan Complex, Bowdara Road
Vishakapatnam -530001
Andhra Pradesh
PH: 2563753
E-mail: nishantpalarora@gmail.com

SHRI JAYA MARUTHI ENTERPRISES
Plot No.F-16, Industrial Estate,
Chittoor, Andhra Pradesh -517001
Ph: 944028902, 08572-222677
E-mail:shrijayamaruthi@gmail.com

SREE VASUDEVA ENTERPRISES-
No.12-A, Sripuram,
Tirunelveli, TAMIL NADU – 627001

NARAYANAN MANIKANTAN
TRADERS PVT LTD,
Sree Mookambikan Chambers,
Aryasala Road, Trivandrum-695036

PARTAP SINGH & SONS
516/617, Parekh Market, Jss Road,
Opera House, Mumbai-400 004
Ph: 022 4300 5002, 98925 23522
E-mail: psc@pssao.com

APEX AUTO AGENCIES,
Plot No.8, Block No.3,
Survey No.96/1/A, Auto nagar,
LB Nagar, Hyderabad-500070.

BALAJI AUTO STORES,
1&2, Vasthu Complex,
Mydukur Road, Proddatur,
Kadapa,
Andhra Pradesh-516360.

JAI AUTOMOTIVE AGENCIES,
213, Auto Towers,
9 J C Road, Bangalore,
Karnataka – 560 002.

PARTAP SINGH & SONS
Shop No B 4& 6, Opp -100 Feet Road,
Kolhapur Road, Vardhaman Plaza
Sangli – 416416, Maharashtra
PH: 0233-2330722
E-mail: sangli@pssao.com

SNIGDHA AGENCIES,
D.No.9-8-1,
Opp. Lucky Bar & Restaurant,
SR Complex, Ramnagar,
Karimnagar,
Telangana – 505 001.

PARVATHI AUTOMOBILES,
BALLARI,
Karnataka.

BAJARANG MOTOR COMPANY
15-1-503/A/62 Ashok Market
Siddiamber Bazaar
Hyderabad, Telangana 500 012
09849811461
09849103960

PARTAP SINGH & SONS
Shop.No.10/A-Regal Complex,
Shanti Nagar Regal Complex,
Shanti Nagar, Ulhaas Nagar-421 003
Maharashtra
Ph: 0251-2707685
E-mail: pssusa@pssao.com

WESTERN REGION

PARTAP SINGH & SONS
22, Narayan Dhru Cross Lane,
1st Floor, Nagdevi, Mumbai - 400003
Maharashtra
PH: 022 - 23443236
E-mail: nagdevi@pssao.com

PARTAP SINGH & SONS
No.5, Bharat Building, Sector No.18,
Vashi, Navi Mumbai - 400705
Maharashtra
Ph: 022-65114789
E-mail: vashi@pssao.com

PARTAP SINGH & SONS
No.473, Svp Road
Marwari Vidyalaya Building
Opera House, Mumbai - 400086

PARTAP SINGH & SONS
Shop No.2,
Amar deep Complex Basement,
Laltaki, Ahmednagar - 414 001,
Maharashtra, PH: 0241-6522337
E-mail: ahmednagar@pssao.com

PARTAP SINGH & SONS
Plot No. X - 3, MIDC,
Gulab Ganga Complex
Waluj, Aurangabad - 431 136
Maharashtra
PH: 0240 - 2552086
E-mail: aurangabad@pssao.com

PARTAP SINGH & SONS
Gat No. 158, Pune-Nashik Road
Chimbali Village, Barge Vasti
Opp. Savani Transport,
Chakan, Pune - 410 501, Maharashtra
PH: 0241-261273
E-mail: chakan@pssao.com

PARTAP SINGH & SONS
BSNL Road, Wing No. 2, Shop No. 5,
Opp. Gurudwara Bombay Agra Road,
Dhulia - 424 311
Maharashtra
PH: 02562 - 309762
E-mail: dhulia@pssao.com

PARTAP SINGH & SONS
Gala No. G-7, Shiv Shankar Plaza
Sivaji Udyam Nagar,
Kolhapur - 416 008, Maharashtra
PH: 0231 - 5622353
E-mail: klp@pssao.com

PARTAP SINGH & SONS
10/11, Rawal Complex,
K. Chaturbhuj Layout, Wadi,
Nagpur - 440 023, Maharashtra
PH: 07104-221427
E-mail: nagpur@pssao.com

PARTAP SINGH & SONS
Sector No. 23, Plot No. 54,
Sri Balaji Crane Service,
Transport Nagar
Nigdi, Pune - 411 044
Maharashtra
PH: 2065-106044
E-mail: nigdi@pssao.com

PARTAP SINGH & SONS
Plot No. 11/A-2, Jadav Chambers
Near Mahalaxmi Mangal Karyalay,
Shiroli, Kolhapur-416 122
Maharashtra
Ph: 0230 - 2460396
E-mail: klp_shiroli@pssao.com

PARTAP SINGH & SONS
315, Subhash Nagar,
Opp. Vinayak Petrol Pump, Kondi,
Solapur - 413 255. Maharashtra
PH: 0217 - 2357382
E-mail: solapur@pssao.com

PARTAP SINGH & SONS
Building No 2arihant Compound.
No.2, Gala No.7
Arihant Complex, Purna
Bhiwandi - 421 302, Maharashtra
PH: 02522-272145
E-mail: bhiwandi@passao.com

PARTAP SINGH & SONS
No.115, Truck Terminal,
Next to Steel Town Petrol Pump
Kalamboli - 410 218, Maharashtra
PH: 022-32681960
E-mail: klm@pssao.com

PARTAP SINGH & SONS
Plot No.8, Krishman House, Dwarka
Mumbai-Agra Road
Near Kashi Mali Mangal Karyalaya
Nashik - 422 009, Maharashtra
PH: 0253-2517884
E-mail: nasik@pssao.com

PARTAP SINGH & SON
Shop No 4, Survey No 30/12
Pune-Satara Road, Dhankawadi
Pune - 411 043, Maharashtra
PH: 020-4020297
E-mail: pune@pssao.com

PARTAP SINGH & SONS
No.3 Malai Tower, Shop 6,
Kolhapur Naka - Pune
Bangalore Road, Karad
Maharashtra - 415110
PH: 2164223422
E-mail: karad@pssao.com

PARTAP SINGH & SONS
Plot No 961, Near Ajit Tyres
Uran-Taluk
Jesai-400702, Maharashtra
E-mail: jesai@pssao.com

PARTAP SINGH & SONS
22 / 23, Amin Complex, Sarkhej
Sarkhej - Gandhi Nagar Crossing,
Sanand Chowk,
Ahmedabad - 382 210, Gujarat
PH: 079-26890476,
E-mail: ahd@pssao.com

PARTAP SINGH & SONS
A - 4, Naginbhai Centre,
Plot No. 6, Ranoli Gidc, N.H No. 8,
Ranoli, Baroda - 301 750, Gujarat
PH: 0265 - 2308732
E-mail: baroda@pssao.com

PARTAP SINGH & SONS
223, Ruda Transport Nagar,
Rajkot - 360 003, Gujarat
PH: 0281-2705165
E-mail: rajkot@pssao.com

PARTAP SINGH & SONS
24, Tanker Owners Association
Building, Opp.Hotel Gokul,
Gandhidham-Kutch, Gujarat
PH: 02836-236916
Email:Gandhidham@pssao.com

PARTAP SINGH & SONS
No; 159, New Sardar Market,
Puna - Kumbhariya Road,
Surat - 395 010, Gujarat
PH: 0261 - 2332338
E-mail: surat@pssao.com

PARTAP SINGH & SONS
47, Varun Complex,
Near Hyundai Show Room,
Opp. Adani Hyper Market,
Vapi - 396 195, Gujarat
PH: 0260 - 2401735,
E-mail: vapi@pssao.com

PARTAP SINGH & SONS
379, Shanti Nagar, Rajdev Colony,
New Categorized Market
Bhopal-462 001, Madhya Pradesh.
PH: 0755-4255137
Email: bhopal@pssao.com

PARTAP SINGH & SONS
120, Vishnupuri - Main
Indore - 452 001
Madhya Pradesh
PH: 0731 - 4091796,
E-mail: vp@pssao.com

PARTAP SINGH & SONS
PSS House, 3, Kancnar Complex,
Navdra Bridge, Jabalpur - 482 001
Madhya Pradesh
PH: 0761 - 2627371
E-mail: jabalpur@pssao.com

PARTAP SINGH & SONS
25/30, Lalganga Apartment
Behind Saradha Cinema, M.G.Road
Raipur - 492 001, Chhattisgarh
PH: 0771-2224835, 9329118895
E-mail: pssryp@airtelbroadband.in

PARTAP SINGH & SONS
223, Ruda Transport Nagar,
Near, Sat Hanuman Temple
Navagam-Anandpur,
Rajkot - 360 003

AUTHORISED SERVICE CENTRES **SOUTH ZONE**

TAMILNADU

SREE VENKATESHWARA
BOOSTER AND POWER|
STEERING WORKS
No-1/473, G.S.T Road
Vandalur, Chennai, Tamilnadu.
Ph-9841834777

HI-TECH ENGINEERING
23/282, Erikadu Main Road
Near -New Bus stand, Meyyanur,
Salem, Tamilnadu
Ph-9843027219

SWATHI SERVICE CENTRE
No-392,Puliakulam Road, Near
Carmel garden school,
Opp Indian bank, Coim-
batore-641045
Ph-9842212170

ELAHI MOTORS

Valarmathi Complex, Paramathy
Road Bypass,
Valliyur Post, Namakkal - 637 003.
Ph-9443386048

SRI MADHU ENGINEERING WORKS

Eswari Complex, Akkamapettai,
Near LOA Silver Jubilee Building,
Salem Main Road,
Sankagiri, Tamilnadu
Ph-9092090801

PRM AUTO SERVICE

No.208/B5, SKU Complex,|
Avvaiyar Street,
Ariyalur Main Road, Four
Road,Thuraimangalam Po
Perambalur-621220
Ph- 9944875354/9655740045

ELAHI MOTORS

Valarmathi Complex, Paramathy
Road Bypass,
Valliyur Post, Namakkal - 637 003.
Ph-9443386048

SRI MADHU ENGINEERING WORKS

Eswari Complex, Akkamapettai,
Near LOA Silver Jubilee Building,
Salem Main Road,
Sankagiri, Tamilnadu
Ph-9092090801

PRM AUTO SERVICE

No.208/B5, SKU Complex,|
Avvaiyar Street,
Ariyalur Main Road, Four
Road,Thuraimangalam Po
Perambalur-621220
Ph- 9944875354/9655740045

FAMOUS AUTO SERVICE

II-70/3, kalluthotti,Marthandam
Kanjiracode, Kanyakumari-629155
Ph- 9443388132

OM SAKTHI AIR BRAKE WORKS

No-0, KPR Complex,
New Bypass Road,
Vellore-632004
Ph- 9790143800

**ANDHRAPRADESH
& TELANGANA****SOUTH INDIA AIR BRAKE SYSTEMS**

Flat No.330, D. No.5H-8-6,
2nd Cross 2nd Road
Near Paramount, J Auto Nagar,
Vijayawada, Andhra Pradesh
Ph- 9000646565

GR AIR BRAKE SYSTEMS

Flat No 3-2-96/10,
Suguna Nayak Complex,
Near Reliance Petrol Bunk,
Palvocha, Bhadradi, Telengana.
Ph- 9866482506

SRI MALLIKARJUNA AIR BRAKES

Plot No-1 E Block no-2,Autonagar,
Hyderabad,Ranga Reddy,
Telangana-500070
Ph- 9640299222

SAGAR AUTO SERVICES

D.No 20-8-18/1
Sunkarametta Junction,
Anakapalli, Visakhapatnam,
Andhra Pradesh
Ph- 7036366624

MVR AIR BRAKE SYSTEMS

FLAT NO.136A, Water tank Road,
AutoNagar, Rajahmundry,
Andhra Pradesh
Ph-9703659789

ARUN AIR BRAKE SYSTEMS

D.NO 25-1-22/2,
Gopal Reddy Nagar
Near JUG Junction, Gajuwaka,
Visakhapatnam, Andhra Pradesh
Ph- 9293606666

MVR AIR BRAKE SYSTEMS

Flat No 147, DSN Complex
Opp Info Tech, Auto Nagar,
Sarpavaram, Kakinada,
Andhra Pradesh
Ph- 9703659789

**AUTO TECH TURBO SERVICE
ENGINEERS**

No-4-1,Nagarju Shopping Complex,
Gandimaisamma X Road,
medchal Dis-43. Ph- 9949293525

**SRI VENKATESHWARA AUTO
EQUIPMENTS**

Plot no: A33, Phase -2,
Auto Nagar, Nellore,
Andhra pradesh-524 004
Ph- 8612366099

SIVA GURU AUTOMOBILS

#4-3-99,Janashakthi Nagar,
Bellary Road,Anathapur-515004
Ph- 9492330224

KERALA**ARVIND AUTO CARE**

Old MC Road, Kodimatha,
Kottayam, Kerala
Ph-9447263726/8289913771

ARAMANA INDUSTRIES

No.5/454D, P.H.E.D. Road,
Eranhipalam, Opp. Passport office,
Calicut-20, Kerala.
Ph- 9446533550/0495-2373992

SAAMS AUTOMOBILES

111/16 A, Container road,
Cheranallur,Kochi-682034
Ph-9349236727

MAHALAXMI DIESEL SERVICE

General engineers buildings,
T.C.51/1100
Industrial estate post,
Pappanamcode,
Trivandrum-695019
Ph-8778397657/9447178927

P.K ENGINEERING

Near stadium bus stand,
Indira nagar, Valiaparambu
Road,Palakkad-678013
Ph-9847090707/8606267993

KARNATAKA

SRI GANESH MOTORS
14,17th Cross, Kuber Singh Lane,-
Doddamavalli, Bangalore.
Ph- 9743539958

A.L.MOTORS
Shop-20, 3rd Cross Street,
M.V Lorry Terminal Bellary,
KARNATAKA-583101.
Ph- 9591309729

MELGE MOTORS
Sy. No 1059,
Beside Aegis Auto Gas Pump,
Gandhi Nagar, Belgaum,
Karnataka-590 016.
Ph- 9741262009

SALIMATH ENGINEERS
No-19,Padma Housing Society
Opp.Kirloskar Electric Company,
Airport Road,Hubli-580030
Ph- 9448113807

SUPREME AUTO SPARE
Chamundeshwari Building,
opp. Pegasus Bar,
Jappinamogaru,
Mangalore-575002
Ph- 9886419703

NORTH ZONE**DELHI**

PRECISION MOTORS
D-20, Truck Parking,
Behind Police station, Timarpur,
DELHI-110054.
Ph- 9717009757

GS AUTO SALES AND SERVICE
AW 336, SANJAY GANDHI
TRANSPORT NAGAR
DELHI - 110042
MR. DALJEET SINGH

PUNJAB

BHARAT MOTORS
Near Fly Bridge, Choti Near,
Pathankot, Punjab
Ph- 9417013977

UTTAR PRADESH

AMAN DIESELS
J15/56 C1 Doshiपुरa, GT Road,
Varanasi, Uttar Pradesh
Ph- 7860000432/9919000432

ANAND SALES & SERVICES
123/415, Guru Nanak Market,
Adrian Purwa Fazalganj Kanpur,
Ultra Pradesh
Ph- 9307180100/9336120232

WEST ZONE

MAHARASHTRA

HARJOT AUTO CENTRE
Sector No.23, Plot No.168/B
Transport Nagar, Nigdi, Pune
Maharashtra
Ph-9765604670

VIJEET SALES AND SERVICE
Chandrapur, Maharashtra
Ph-9371222844

HARJOT AUTO CENTRE
SECTOR NO. 23, PLOT NO. 168/B
TRANSPORT NAGAR
NIGIDI, PUNE 411 044
MAHARASHTRA
MR. SUKHPREET SINGH
9765604670

SIDDH DIESELS
B27-28, Utkasha Nirman Mangal,
Warri Bazaar, Sadar, Nagpur,
Maharashtra.
Ph-9422817090 / 7126616012

SHREE DADAGURUDEV MOTORS
Mumbai Agra Road,
Near B.P Jain Petrol Pump,
Gurudwara, Dhulia Maharashtra.
Ph - 7588104207 / 9326521077

CITY AUTO
Shop No.1 & 2 Nivrutti Complex,
Dwarka, Nasik, Maharashtra.
Ph- 9370613213

CITY AUTO CENTRE
Shop-3, Bharat Commercial Centre
Plot-4, Sector-18, Vashi,
Opp. Mafco Market Navi Mumbai,
Maharashtra
Ph- 9833932753

J C ENTERPRICES.
Shakti Market, Mira Road,
Baramati Dist, Pune,
MAHARASHTRA-413102.

S.F AUTOMOTIVE
Near Velanki Petrol Pump,
Gorakshan Ward,
Allapalli Road, Ballarpur,
Maharashtra
Ph- 9923736416

SAHAJ AUTOMOBILS
No-4/1, Apna Bazar,
SFS Compound,
Jalna road Aurangabad,
Ph- 9422703348

GUJARAT

SHREE GANESH AUTO
4-5 Kusum Chamber,
Hazira Road Surat Hazira Road,
Icchapur Tri Cross Road, Surat,
Gujarat.
Ph - 9898047417 / 9327952525

PARI AUTO AGENCIES
A 5/20 AUTOMOBILE NAGAR
JAIPUR 302004
MR. SAJAN SHARMA
9929108099 / 8003098099

SHREE GANESH AUTO
4-5, KUSUM CHAMBERS
HAZIRA ROAD, SURAT 394510
GUJARAT
MR. KISHORBAHI CHAHWALA
9998669847

RJT AUTO GARAGE
Marketing Yard, Opp.Garden Restaurant,
Near CNG Gas Station, Rajkot - 360 003
Ph: 9426987082

CHADAS DIESELS N SPARES
In front of Brahmani Tarang police
Station,
Hazira Singh Complex,
Vedvyas, Rourkela,
Odisha.
Ph- 9861846060

NISHIT SALES
Opp.Komal Hotel, Near Chokdi,
Vaitej, Bhavnagar,
Gujarat -364 020.
Ph- 9687988988

DARSHAN DIESEL SERVICE (I)
PVT LTD
42/43, Mohan warehouse,.
Narol BRTS Bus stop, Narol,
Ahmedabad -382405
Ph- 9825414951/079-29706595

SADGURU DIESEL
Cuttack,odisha, Ph-9861611792

RAVI AUTO AGENCY
Road No.3,
East Side Of I.T.I College,.
New Berhampur, Patna-27, BIHAR
Ph- 9431024867/9334285530

RAJASTHAN

MAHI DIESELS
K-18,19 Transport Nagar,
Bhilwara-311001
Ph-9929448431

MENARIA AUTOMOBILES
No-309, A Block,
Transport Nagar Balicha,
Udaipur
Ph-9829241357 / 9784265680

EAST ZONE

C K HYDRAULICS
Bamundanga, Samabayapally,
Bally Howrah-711205
Ph- 9331005587

Location & Contact Information of MEI Representatives

Sl. No.	Zone	Name	Contact No	Email ID	State	Location
1	HO	Mr T.Syedbabu	9385773357	syedbabu@mei.co.in	Tamilnadu	Chennai
2	HO	Mr G. Murugesh	9944913481	murugesh@mei.co.in	Tamilnadu	Chennai
3	HO	Mr K. Loganathan	9940496541	logu@mei.co.in	Tamilnadu	Chennai
4	HO	Mr Vairavan	9003187186	vairavan@mei.co.in	Tamilnadu	Chennai
5	HO	Mr Sivarajan	8124488489	sivarajan@mei.co.in	Tamilnadu	Chennai
6	South	Mr K.Rameshbabu	9600039384	rameshbabu@mei.co.in	Tamilnadu	Chennai
7	South	Mr S.Mohanraj	9941515271	smohan@mei.co.in	Tamilnadu	Chennai
8	South	Mr R.Dhanasekaran	9626269496	dhanasekaran@mei.co.in	Tamilnadu	Salem
9	South	Mr P.Velmurugan	8095090073	vel@mei.co.in	Karnataka	Hubli
10	South	Mr R.Ravichandran	9686852268	rravichandran@mei.co.in	Karnataka	Bangalore
11	South	Mr P.Y Ramanathapillai	9746656868	yogapillai@mei.co.in	Kerala	Ernakulam

12	South	Mr S.Rajeshwaran	9655074410	rajeswaran@mei.co.in	Kerala	Calicut
13	South	Mr Narav Keshav	9290519762	keshav@mei.co.in	Telangana	Secundrabad
14	South	Mr Pavan Kumar	8686808206	pavan@mei.co.in	Andhra Pradesh	Vijayawada
15	South	Mr Haridoss	9980413142	haridoss@mei.co.in	Karnataka	Mangalore
16	West	Mr K.Balan	9167228998	balan@mei.co.in	Maharashtra	Mumbai
17	West	Mr Kalyani Nare	9766851243	kalyani@mei.co.in	Maharashtra	Pune
18	West	Mr.Jaswant Singh Parmar	9527917564	parmar@mei.co.in	Maharashtra	Pune
19	West	Mr Mansingh	9713807703	mansingh@mei.co.in	Madhya Pradesh	Indore
20	West	Mr Amit Bhardwaj	9930699735	amit@mei.co.in	Maharashtra	Mumbai
21	West	Mr Kaushal Shah	9879016022	kaushal@mei.co.in	Gujarat	Ahmedabad
22	West	Mr Balbir Singh Chouhan	8120622287	balbir@mei.co.in	Madhya Pradesh	Gwalior
23	West	Mr Balakumar	8248420367	balakumar@mei.co.in	Maharashtra	Nagpur
24	East	Mr B.Selvam	9831263605	bselvam@mei.co.in	West Bengal	Kolkata

25	East	Mr Ritesh Kumar	7003440230	ritesh@mei.co.in	West Bengal	Kolkata
26	East	Mr Arvind Kumar Sharma	9860636732	aks@mei.co.in	Bihar	Patna
27	East	Mr Ranjan Singh	8135995559	ranjan@mei.co.in	Assam	Guwahati
28	East	Mr Niranjan Sahoo	9861226299	sahoo@mei.co.in	Odisha	Cuttack
29	East	Mr Uma Shanker Sharma	9931427546	umashanker@mei.co.in	Jharkhand	Jamshedpur
30	North	Mr Pramod Singh Baghel	9650900022	pramod@mei.co.in	Delhi	Delhi
31	North	Mr Naveen Mishra	8445306410	naveenmishra@mei.co.in	Lucknow	Uttar Pradesh
32	North	Mr Mohit Kumar Sharma	9012516240	mohit@mei.co.in	Pantnagar	Uttar Pradesh
33	North	Mr Arvind Kumar Sharma	8090098676	arvindkumar@mei.co.in	Rajasthan	Jaipur
34	North	Mr Govardhanraj	9914441232	govardhanraj@mei.co.in	Chandigarh	Chandigarh
35	North	Mr Divakar	9786263142	divakar@mei.co.in	Rajasthan	Udaipur
36	North	Mr Muthupandi	8056412522	muthupandi@mei.co.in	Rajasthan	Jaipur
37	North	Mr Manoj	9210003967	manoj@mei.co.in	Delhi	Delhi

